

AXTAIR

Axtair One® Plus

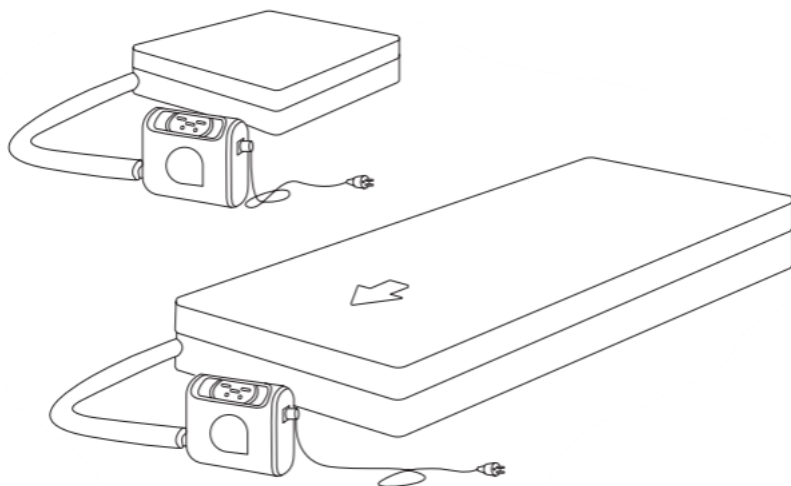
Axtair Automorpho® Plus

Axtair Axensor® AT12/AT15/AT20

Axtair XXL®

Axtair APC

Technical manual



PA0010143
Version 13 – 24/04/2026


TABLE OF CONTENTS



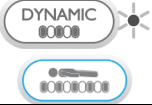
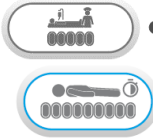
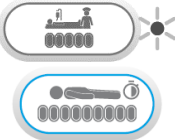
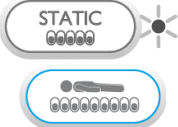
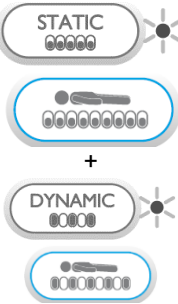
ALARMS AND REPAIR	- 3 -
FURTHER INFORMATION.....	- 5 -
Electromagnetic compatibility (EMC)	- 5 -
Heel discharge valve	- 7 -
Mattress – compressor connection.....	- 7 -
Use in a seated position.....	- 8 -
AXENSOR cushion (APC).....	- 8 -
AXENSOR box	- 8 -
Rolling straps	- 8 -
MAINTENANCE/DISINFECTION	- 9 -
Compressor.....	- 9 -
Mattress.....	- 9 -
Specific to APC cushion (VAXT6/CO/AUTO).....	- 10 -
Maintenance diagram and recommended disinfection.....	- 13 -
PREVENTIVE MAINTENANCE.....	- 14 -
Servicing frequency:.....	- 14 -
Mattress/ cushion	- 14 -
Compressor.....	- 14 -
AirCare solution	- 15 -
WEEE (Waste Electric and Electronic Equipment).....	- 16 -
Warranty.....	- 17 -
SPARE PARTS.....	- 18 -
Axtair One Plus compressor – Ref. VAXT/POMPE/ONEP	- 19 -
Axtair Automorpho Plus compressor – Ref. VAXT/POMPE/AUTOP	- 21 -
Axtair Automorpho Plus compressor – Ref. VAXT/PAUTOP or VPAUTOP-G-XX	- 23 -
Axtair One Plus compressor – Ref. VAXT/PONEP or VPONEP-G-XX	- 25 -
Axtair Axensor® compressor – Ref. VAXT6/POMPE/AUTO	- 27 -
Axtair Axensor® compressor – Ref. VAXT6/POMPE/AUTO-S or VPAXE-E-XX	- 29 -
Axtair Axensor® compressor – Ref. VPAXP-G-XX.....	- 31 -
Axtair XXL compressor – Ref. VAXT/POMPE/XXL or VPXXL-A-XX.....	- 33 -
Axtair One Plus mattress – Ref. VAXT2/MA/ONE	- 35 -
Axtair One Plus mattress – Ref. VAXT/MONEP90/XXX or VMONEP-090GX-XX.....	- 37 -
Axtair Automorpho Plus mattress – Ref. VAXT/MA/AUTOP.....	- 39 -
Axtair Automorpho Plus mattress - Ref. VAXT/MA/AUTOP100	- 41 -
Axtair Automorpho Plus mattress – Ref. VAXT/MA/AUTOP120	- 43 -
Axtair Automorpho Plus mattress – Ref. VAXT/MAUTOP90/XXX or VMAUTOP-090GX-XX ...	- 45 -
Axtair Automorpho Plus mattress – Ref. VAXT/MAUTOP100/XXX or VMAUTOP-100GX-XX ..	- 47 -
Axtair Automorpho Plus mattress – Ref. VMAUTOP-105GX-XX.....	- 49 -
Axtair Automorpho Plus mattress – Ref. VAXT/MAUTOP120/XXX or VMAUTOP-120GX-XX ..	- 51 -
Axtair Automorpho Plus mattress – Ref. VAXT/MAUTOPA90/XXX.....	- 53 -
Axtair Axensor® AT12 mattress – Ref. VAXT6/MA/AUTO or VMAXE12-XXXA3-XX	- 55 -
Axtair Axensor® AT15 mattress – Ref. VAXT6/MA/MAX or VMAXE15-090A3-XX	- 57 -
Axtair Axensor® AT20 mattress – Ref. VAXT6/MA/AT20-90 or VMAXE20-090A3-XX	- 59 -
Axtair Axensor® AT20 mattress – Ref. VAXT6/MA/AT20-80 or VMAXE20-080A3-XX	- 61 -
Axtair Axensor® AT20 Standard mattress – Ref. VMAXP-090A3-XX	- 63 -
Axtair Axensor® AT20 PRO mattress – Ref. VMAXP-090B3-XX.....	- 65 -

Axtair XXL Mattress – Ref. VAXT/MA/120XXL or VMXXL-120A2-XX - 67 -
 Axtair XXL Mattress – Ref. VAXT/MA/140XXL - 69 -
 Axtair APC Cushion – Ref. VAXT6/CO/AUTO or VMAXP-APCH3-XX - 71 -




ALARMS AND REPAIR

Using the “info” key (Only on the Axtair Axensor pump, used with AT12, AT15, and AT20 mattresses)

 A continuous press on this button when the compressor is running provides information about the last alarm recorded and the need for servicing.

Alarm codes: Description	Description	Meaning
	Lock indicator steady	System problem Support
	Lock indicator flashing	Compressor system problem
	Dynamic indicator flashing	No pressure
	Care indicator steady	Initial inflation impossible
	Care indicator flashing	Inflation impossible
	Static indicator flashing	Over-pressure
	Dynamic and static indicator flashing	Pneumatic problem

The following table shows all the alarms for the device, their triggering conditions, their priority as well as possible repair.

Description	Trigger		Possible repair
	Condition	Time frame	
Alarm indicator flashing and mains indicator off  + sound signal	Electrical fault: the compressor is not powered by the mains	0 min	1 - Re-connect the compressor 2 - Check the status of the electricity network 3 - Replace the fuse
Alarm indicator flashing and mains indicator on  + sound signal	Compressor system problem	0 to 1 min	1 - Check that the mattress is properly connected to the compressor 2 - Check that the CPR valve is well sealed 3 - Check the leak-tightness of the mattress
	The compressor measures a nil pressure when pumping	1 min	
	The compressor measures an over-pressure	1 min	
	Inflation impossible	10 min	
	The compressor detects a pneumatic problem	1 min	
Alarm indicator steady  + sound signal	Initial inflation impossible	40 min	1 - Check that the mattress is properly connected to the compressor 2 - Check the status of the AXENSOR® box 3 - Check that the CPR valve is well sealed 4 - Check the leak-tightness of the mattress
	Support system problem	0 min	

For any other repair solution, contact your retailer or if you are trained, use the AirCare solution.

FURTHER INFORMATION**PRECAUTIONS** 

Do not wrap the hoses around your neck - this could cause strangulation.

Do not wrap the electrical cable around your neck - this could cause strangulation.

Do not disconnect the compressor from the mains during use.

ELECTROMAGNETIC COMPATIBILITY (EMC)

- AXTAIR medical devices comply with applicable electromagnetic compatibility (EMC) standards.
- The AXTAIR range of products are therapeutic support devices under the IEC 60601-2-52 standard relating to the assessment of protection against mechanical hazards of electro-mechanical (EM) devices and EM systems, in particular against patient entrapment in non-moving parts. The requirements of figures 201.107, 201.108 and table 201.101 involving the AXTAIR type therapeutic mattress are excluded.
- AXTAIR medical devices require special precautions with regard to EMC and must be installed and commissioned in accordance with the EMC information supplied on request by WINNCARE France.
- The use of accessories and cables other than those supplied and specified by WINNCARE France may result in increased emissions from the AXTAIR medical devices or an increased risk of fire.

MANUFACTURER'S GUIDE & DECLARATION		
The device is intended for use in the electromagnetic environment specified below. The user will need to ensure that it is used in this environment		
ELECTROMAGNETIC EMISSIONS		
EMISSIONS TESTING	CONFORMITY	ELECTROMAGNETIC ENVIRONMENT - GUIDE
RF Emissions conducted and radiated CISPR 11	Group 1 Class B	The device uses radio frequency energy only for its internal functions. As a result, its RF emissions are very low and are not likely to cause interference with nearby electronic equipment The device can be used in all establishments including domestic and those directly connected to the public low-voltage power supply network that supplies buildings for domestic purpose. The device is not intended to be connected to any other equipment.
Harmonic distortion EN 61000-3-2	Class A	
Voltage Fluctuations and Flicker EN 61000-3-3	Compliant	
RF Emissions CISPR 14-1	Not applicable	
ELECTROMAGNETIC IMMUNITY		
IMMUNITY TEST	IEC 60601 SEVERITY LEVEL	LEVEL OF COMPLIANCE
Electrostatic discharge EN 61000-4-2	± 8 kV in contact ± 15 kV in air	± 8 kV in contact ± 15 kV in air

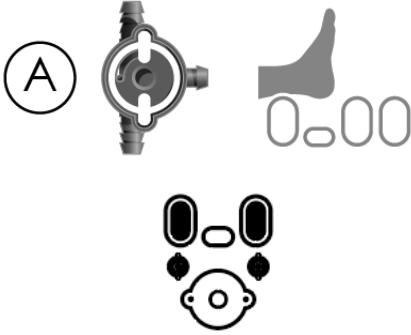
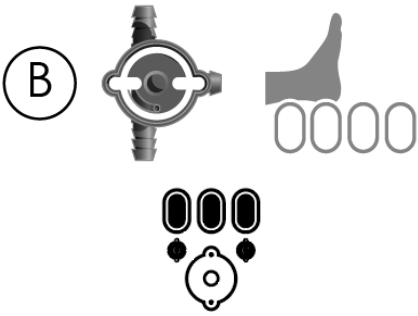
WINNCARE France

Radiated RF Electromagnetic Field EN 61000-4-3	10 V/m 80MHz – 2.7Ghz 80% AM at 1kHz	10 V/m 80MHz – 2.7Ghz 80% AM at 1kHz
Proximity Fields Emitted by RFEN 61000-4-3 Wireless Communications Devices	Levels in the table below	Levels in the table below
Fast Transients in Salves EN 61000-4-4	± 2 kV for feeder lines ± 1 kV for input/output lines Repeat frequency at 100 kHz	± 2 kV for feeder lines ± 1 kV for input/output lines Repeat frequency at 100 kHz
Shock waves EN 61000-4-5	Differential mode ± 1 kV Mode common ± 2 kV	Differential mode ± 1 kV Mode common ± 2 kV
Conducted disturbances, induced by RF EN 61000-4-6 fields	3V 0.15 – 80 MHz 6V in ISM band between 0.15 and 80 MHz	3V 0.15 – 80 MHz 6V in ISM band between 0.15 and 80 MHz
Magnetic field IEC 61000-4-8	30A/m 50 Hz or 60 Hz	30A/m 50 Hz or 60 Hz
Voltage Dip EN 61000-4-11	0% UT; 0.5 cycles at 0°, 45°, 90°, 135°, 180°, 225°, 270° and 315° 0% UT; 1 cycle 70% UT; 25/30 cycles at 0°	0% UT; 0.5 cycles at 0°, 45°, 90°, 135°, 180°, 225°, 270° and 315° 0% UT; 1 cycle 70% UT; 25/30 cycles at 0°
Voltage interruptions EN 61000-4-11	0% UT; 250/300 cycles	0% UT; 250/300 cycles
Proximity magnetic field EN 61000-4.39	8 A/m at 30 kHz 65 A/m at 134.2 kHz 7.5 A/m at 13.56 MHz	8 A/m at 30 kHz 65 A/m at 134.2 kHz 7.5 A/m at 13.56 MHz
<i>NB: UT is the nominal value of the supply voltage applied during the test</i>		
TEST SPECIFICATIONS FOR IMMUNITY TO RF WIRELESS COMMUNICATIONS DEVICES		
TEST FREQUENCY (MHZ)	MODULATION	IMMUNITY TEST LEVEL (V/m)
385	Pulse Modulation: 18 Hz	27
450	FM + 5 Hz deviation: 1 kHz sine	28
710 – 745 – 780	Pulse Modulation: 217 Hz	9
810 – 870 – 930	Pulse Modulation: 18 Hz	28
1720 – 1845 – 1970	Pulse Modulation: 217 Hz	28
2450	Pulse Modulation: 217 Hz	28
5240 – 5500 - 5785	Pulse Modulation: 217 Hz	9

HEEL DISCHARGE VALVE

The AXTAIR Automorpho Plus, Axensor AT12 and AT15 mattresses are equipped with 4 independent heel discharges at foot cell level. The AXTAIR Axensor AT20 and XXL mattresses are equipped with 5. The AXTAIR Axensor AT20 Standard and Pro mattresses are equipped with 6, and 20 heel discharges, respectively.

Only the AXTAIR One Plus mattress is not equipped with heel discharges.

	<p>In position A The cell is opened to atmosphere and deflates.</p>
	<p>In position B The cell re-inflates.</p>

⚠ WARNING:

- Only 1 individual deflation valve should be open at a time, to ensure patient comfort and safety.
- Do not leave a heel release in an intermediate position between A and B. A detent in position A or B ensures correct positioning.
- When using an AXTAIR AXENSOR AT15-DV or an AXTAIR AXENSOR AT20 Pro mattresses we recommend not unloading more than 2 consecutive cells in order to guarantee the safety of the patient in the prone position. Discharge should be carried out cell by cell, keeping the patient in a physiological position.

MATTRESS – COMPRESSOR CONNECTION**PRECAUTIONS** 

Connect the mattress to the compressor before switching it on.

USE IN A SEATED POSITION**PRECAUTIONS** 

Do not use an AXTAIR mattress in dynamic mode for more than 30 minutes if the bed is in a sitting position. Do not use with a bed in an sitting position, with an angle $> 40^\circ$.

Must be selected for a sitting position of more than 30° . When the function is engaged, the dynamic cycles are accelerated for greater comfort and to limit the risk heeling.

Note: Do not forget to exit the function if the patient returns to the supine position.

AXENSOR CUSHION (APC)

Installing the cushion:

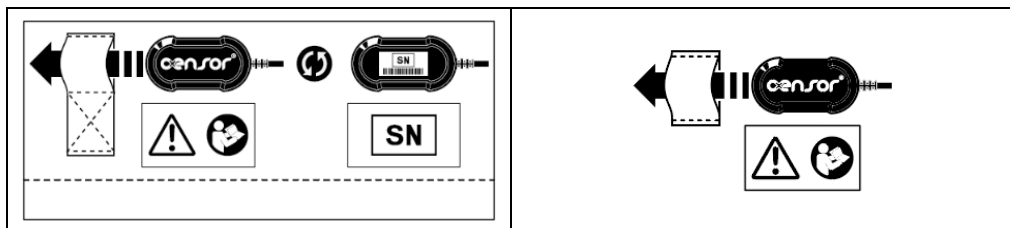
- Disconnect the electrical cable from the compressor,
- Reconnect the electrical cable to the compressor,
- Connect the cushion to the compressor.

To take into account the parameters of the new cushion, the **compressor must be restarted by disconnecting and reconnecting the electrical cable.**

The cushion can be used in static mode by disconnecting the compressor.

AXENSOR BOX** WARNING**

The AXENSOR® box must always be placed in the elastic housing located on the inner side panel of the ad-hoc support:

**ROLLING STRAPS**

Roll-up straps are not designed to attach the mattress to the base of the care bed. The roll-up straps are designed to roll up the mattress and transport it more easily by putting it in its carry bag.

MAINTENANCE/DISINFECTION**COMPRESSOR**

- **INDICATIONS:** Use a cloth soaked in a detergent product solution or CE* labelled surface detergent/disinfectant at the use concentrations recommended by the manufacturer. Adhere to the remanence times.

- **CONTRAINDICATIONS:** 

It is essential to disconnect the power cord connected to the compressor from the mains power outlet. The "mains" indicator must be off.





- Do not use a high-pressure jet to clean an AXTAIR line compressor.
- Do not spray liquid to avoid any damage to the compressor by penetration of liquid inside the box.

- **PRECAUTIONS:** 

Do not use abrasive cleaning products such as industrial detergents, acetone type solvents, ether and coloring products (iodized alcohol, potassium permanganate, silver nitrate etc.). Do not allow abrasive materials such as steel wool or "scotch brite" pads.

MATTRESS

Depending on the type of mattress, there are several cleaning options available:

	Manual disinfection	Domestic washing barrier	Machine barrier aseptic	REHAWASH process
Type of disinfection	Manual disinfection 	Covers only 	Complete mattress¹ 	Complete mattress¹ 
Mattress One Plus*	✓	✓	✓	✓
Mattress Automorpho Plus (foam base)*	✓	✓	✓	✓
Mattress Automorpho Plus (air base)	✓	✓	✓	✓
Mattress Axensor (AT12, AT15, AT20)	✓	✓		✓
Mattress Axensor (AT20 Standard & Pro)	✓	✓		

Mattress XXL				
--------------	--	--	--	--






* marketed from 01/11/2022

¹ without foam base.

All mattresses in the Axtair range are designed with a pneumatic assembly (Cells + Bundle + Maintaining Sheet) that can be easily removed from the base for easy cleaning and machine washing of the textile components.

For AXENSOR® mattresses, the AXENSOR® pneumatic unit and control box must be manually disinfected: use a cloth soaked in a detergent solution or CE* labelled surface detergent/disinfectant at the use concentrations recommended by the manufacturer (Adhere to the remanence times) or follow the washing protocol of the REHAWASH process.

The covers and the bases can be machine washed in the following conditions:

	Machine wash, maximum temperature 90°C, reduced mechanical action, rinsing at decreasing temperature, reduced spinning.
	Maximum allowable chlorine concentration of 5000 ppm.
	Do not iron.
	Do not dry clean.
	Trumble dry on low heat, moderate temperatures (60°C).

Aseptic Barrier Machine Washing: One Plus and Automorpho Plus (foam base) mattresses marketed since 01/11/2022 are compatible with barrier machine disinfection. It is the same for the Automorpho Plus air base mattress.

For more information, please refer to the protocol sheet F039, presented in the following pages.

Specific to the AXENSOR mattress:

Precautions: Check that there is no accumulation of water in the access hatch to the heel discharges, which is open during disinfection.

SPECIFIC TO APC CUSHION (VAXT6/CO/AUTO)

When replacing the cell section, make sure that the cell fitted with the non-return valve is located on the front section.

HELP WITH EQUIPMENT
MAINTENANCE

SHEET 039

26/09/2024

AXTAIR MATTRESS ASEPTIC BARRIER MACHINE



PURPOSE

Complete washing of the Axtair One Plus and Automorpho Plus mattresses in an aseptic barrier machine to prevent the transmission of germs from one patient to another by thermal action. Full washing ensures that the mattress is physically and microbiologically clean.

EPI



INDICATIONS

Each time that the product is returned ,
and between each patient.



EQUIPMENT

- ▶ Professional aseptic barrier washing machine with disinfectant detergent,
- ▶ Professional tumble dryer,
- ▶ Washing bag.



PROTOCOL

axtair one[®]
plus

1. Open the cover at the 3 sides and remove the holding sheet - beam - cells assembly using the 2 zips,
2. Remove the foam base,
3. Close the pneumatic connector of the mattress using its transport cap,
4. Roll without tightening the holding sheet with the cells inward. Put this set in the washing net, closing it with the connector,
5. Insert the washing net and cover into the washing machine,
6. After the spin cycle, put the washing net and cover in the dryer,
7. After it is completely dry, assemble the mattress and check that it is working properly by inflating it with a quick inflation pump. Check the correct positioning of the cells,
8. Then pack the mattress into a clean transport bag for storage and delivery.

axtair automorpho[®]
plus

1. Unzip the top cover,
2. Remove the holding sheet - beam - cells using the 2 zips,
3. Open the bottom antislip base and remove the foam base,
4. Close the pneumatic connector of the mattress using its transport cap,
5. Verify that the pressure relief of the heel valves are in the open position (*discharge not activated*),
6. Roll without tightening the holding sheet with the cells inward. Put this set in the washing net, closing it with the connector,
7. Insert the washing net, base and top cover into the washing machine,
8. After the spin cycle, put the washing net, base and cover in the dryer,
9. After it is completely dry, assemble the mattress and check that it is working properly by inflating it with a quick inflation pump. Check the correct positioning of the cells,
10. Pack the mattress into a clean transport bag for storage and delivery.



SETTINGS¹

Barrier washing machine

- ▶ 60°C < washing temperature < 65°C (*provides thermal disinfection¹ without cell degradation or disconnection*),
- ▶ Maximum spin speed² < 750 RPM,
- ▶ Duration: at a temperature of 65°C the washing time must be more than 25 minutes and is calculated using the following formula³:

$$\sum mi (Ti-55) > 250^3$$

With $\sum mi$ = number of minutes during which the temperature in °C is maintained

Ti = washing temperature in °C

The number of mattresses that can be washed at the same time depends on the capacity of the machine. Example: a 22 kg machine allows you to wash 4 mattresses.

Dryer

- ▶ 50°C < drying temperature < 65°C
- ▶ Minimum to get proper drying: 48 minutes at a temperature of 65°C



IMPORTANT

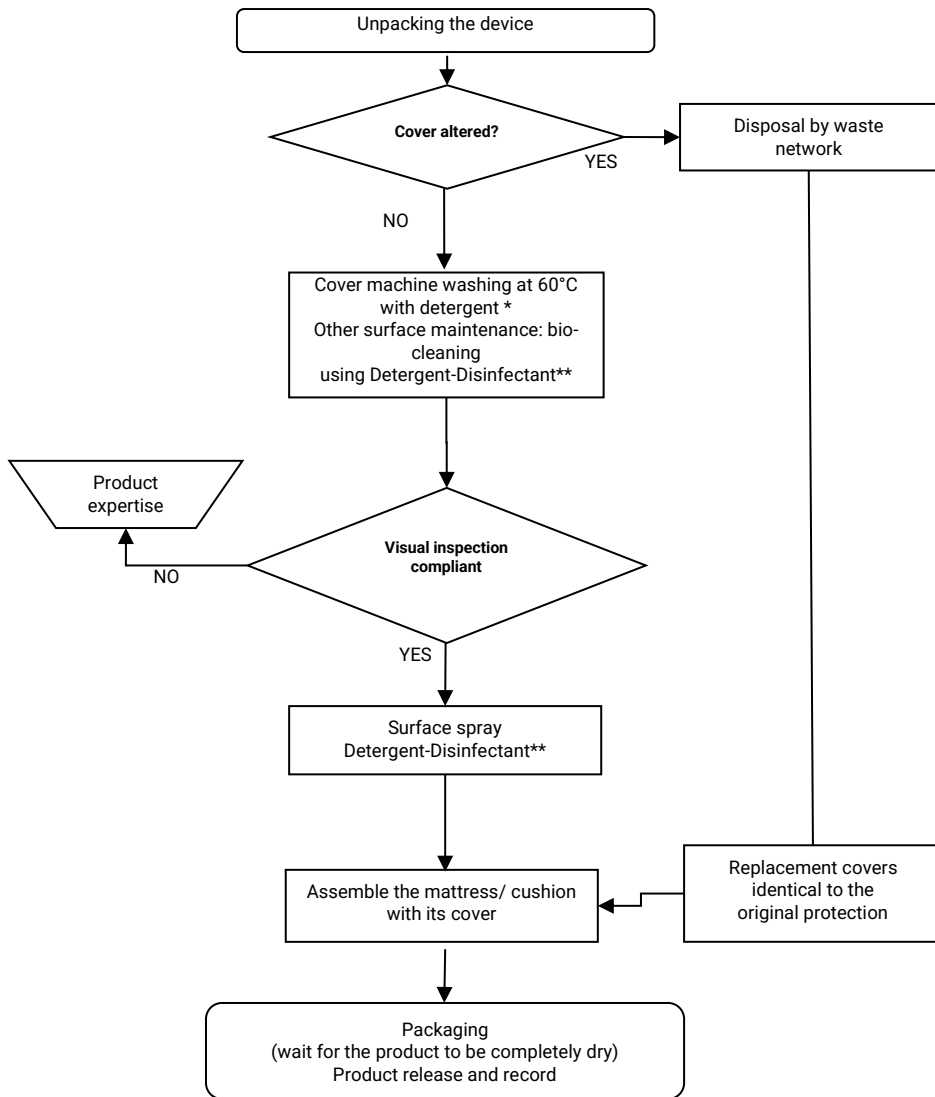
- ▶ A dryer is essential to ensure proper drying of the mattress and good microbiological quality of the device (*all parts of the mattress must be completely dry before repackaging*).
- ▶ The hold sheet - harness - cells set shall remain in the washing net when drying.
- ▶ The machine must be loaded as per the manufacturer's instructions for optimum efficiency of the washing and drying cycles and to avoid degradation.

¹ RABC Protocol according to the standard NFEN 14065 December 2016.

² Maximum spin speed. It may be necessary to reduce it according to the make of machine used. The tests were carried out on FAGOR machines.

³ Recommendation of the Conseil Supérieur d'Hygiène du Service Public Fédéral de la Santé de Belgique [Superior Council of Hygiene of the Federal Public Health Service of Belgium.]

MAINTENANCE DIAGRAM AND RECOMMENDED DISINFECTION



* Neutral detergent (household washing product)

** Wide spectrum cleaning disinfectant product, compliant with standards Bactericide EN1040, EN13727+A2; Fungicide EN1275, EN13624; Sporicide EN14347; Virucide EN 14476+A2.

PREVENTIVE MAINTENANCE

SERVICING FREQUENCY:

It is recommended to service the compressors and mattresses/ cushions at least every 2 years of use for the following product:

- AXTAIR ONE® PLUS
- AXTAIR AUTOMORPHO® PLUS
- AXTAIR AXENSOR®
- AXTAIR XXL®

MATTRESS/ CUSHION

Top cover: visually inspect for damage and stains on the stitch side (white). If damage or stains are found, the cover must be replaced.

AXTAIR mattresses do not contain any wear parts. A simple check of leak-tightness is recommended at the time of servicing.

Steps for checking mattress leak-tightness:

1. Inflate the mattress to a pressure between 85mBar and 100mBar.
2. Wait for the pressure to stabilize for approximately 30 seconds
3. Record the exact pressure of the mattress (P0)
4. Wait 1 minute and record the new pressure (P1)
5. The mattress is deemed to be compliant with the leak-tightness test if the difference between P0 and P1 (P0-P1) is less than or equal to 5 mBar.

In the event of non-conformity, it is necessary to identify the failing components (cells, connection, CPR valve etc.) and to replace them with components provided by the manufacturer. After replacement a further leak-tightness test should be performed.

For AXTAIR mattresses with foam base or stabilizing borders:

- Annually carry out a visual inspection of the stater of the foam: visible subsidence of the material, and a non-equal and very slow return to the foam's original state are signs of ageing which compromise its properties.
- Remember to replace the foam base after cleaning/disinfecting the mattress.

COMPRESSOR

The filter of the compressor must be replaced once per year or more frequently depending on environmental conditions (dust, smoke, etc.).

This filter is on the back of the compressor behind a transparent card which shows its level of fouling. (The original filters are white)

AXTAIR compressors contain wearing parts that need to be replaced and a sensor that needs to be checked for calibration.

Tightening torque / Screws:

When carrying out maintenance on AXTAIR compressors, we recommend a tightening torque of 0.8 Nm on all compressor screws. Using a torque other than that recommended by the manufacturer could, among other things, lead to damage to the shell chimneys.

WINNCARE France recommends the use of a torque screwdriver, type FIRSTINFO H5178, with a range of 0.1 to 1.2 Nm, and high precision for the 0.8 Nm value. This screwdriver is available for purchase from our after-sales service (ref: WS/01/0097).


AIRCARE SOLUTION



The AirCare solution was developed for the preventive and curative maintenance of these systems. Access to the solution requires:

- Following a specific one-day training session. Training module: WS/FORM/05. The detailed program and dates for this training are available on winncare.fr on the training tab. This training is also available as e-learning.
- Downloading specific software running in a Windows environment.
- The purchase of a connection kit containing the control tools.


The AirCare solution authorizes preventive and curative maintenance operations on the compressors and mattresses. The software is used for:

- quick troubleshooting of the checked system,
- the validation of servicing operations with removal of the maintenance key,
- repair validation,
- the traceability of all completed operations.

It is possible to find out if Axtair Axensor compressor servicing is required by a continuous press on the  button when the compressor is running (*only for Axtair Axensor compressor used with AT12, AT15 and AT20 mattresses*).

Coding for servicing requirement: Description		Meaning
	Hourglass flashing quickly	Servicing date exceeded. Servicing to be scheduled.
	Hourglass steady	No need for servicing.

For AXTAIR ONE® PLUS / AXTAIR AUTOMORPHO® PLUS / AXTAIR XXL® compressors: The “spanner” icon LED lights on the compressor to indicate that servicing is required.

Servicing required		Meaning
	FIXED LED	Means product servicing is required (17500 hours of operation).

Servicing compressors at least every 2 years of use is recommended.

To facilitate the management and scheduling of this servicing, counters give information about compressor use and the time since last servicing. This information is available using the AirCare maintenance software.

⚠ WARNING:


Servicing can only be carried out authorized persons, **contact your dealer or the manufacturer.**

WEEE (WASTE ELECTRIC AND ELECTRONIC EQUIPMENT)

In compliance with applicable regulations covering the elimination of Waste electric and electronic equipment (WEEE), WINNCARE France is committed to contributing to the processing and recycling of electric and electronic equipment at the end of its service life.

The holder must never dispose of electric and electronic equipment at the end of its service life in the environment or with household waste with other unsorted waste, so that it can be the subject of selective collection in order to be recycled or reused in order to protect the environment, protect natural resources and protect health.

EQUIPMENT CONCERNED

The devices and instruments that feature the symbol  (Waste electric and electronic equipment) meaning that at the end of their service life they must not be mixed with other types of waste, must be the subject of separate processing.

BEFORE 13 AUGUST 2005: FOR ELECTRIC AND ELECTRONIC EQUIPMENT PUT ON THE MARKET

Holders must finance and organize the elimination of electric and electronic equipment at the end of its service life themselves. Unless the equipment is replaced by an equivalent device or a device that has the same function. In that case, WINNCARE France applies the same waste electric and electronic equipment (WEEE) elimination procedure as for equipment put on the market after 13 August 2005.

AFTER 13 AUGUST 2005: FOR ELECTRIC AND ELECTRONIC EQUIPMENT PUT ON THE MARKET

WINNCARE France complies with applicable European regulations. WINNCARE France undertakes to finance and organize the elimination of such waste.

The procedures for the organization and elimination of WEEE are available from:

WINNCARE France

4 LE PAS DU CHÂTEAU

85670 SAINT PAUL MONT PENIT

email: contact@winncare.fr or on our website: www.winncare.com

If the holder does not apply this procedure, they must recycle electric and electronic equipment at the end of its service life using an adapted method and at their own expense. They must communicate the necessary information to WINNCARE France.

If the products are re-sold, the holder must make sure the new owner is perfectly informed of their duties in terms of recycling electric and electronic equipment at the end of its service life.

WARRANTY

The compressor and its supports are guaranteed for 2 years against any manufacturing defect from the date of purchase and under the recommended conditions of use detailed in the instruction for use. This guarantee does not replace the legal guarantees.

In order to benefit from this guarantee, it is essential to keep the purchase invoice for the product.

In the event of a manufacturing defect, and if the product is still under warranty, please contact your service provider by presenting the product in question. He will take the necessary steps with our company to have the product repaired.

 WARNING

A warranty seal is placed under the simplified manual stuck to the side of the compressor. The presence of this seal ensures that the compressor has passed all the control tests and is tamper-proof.

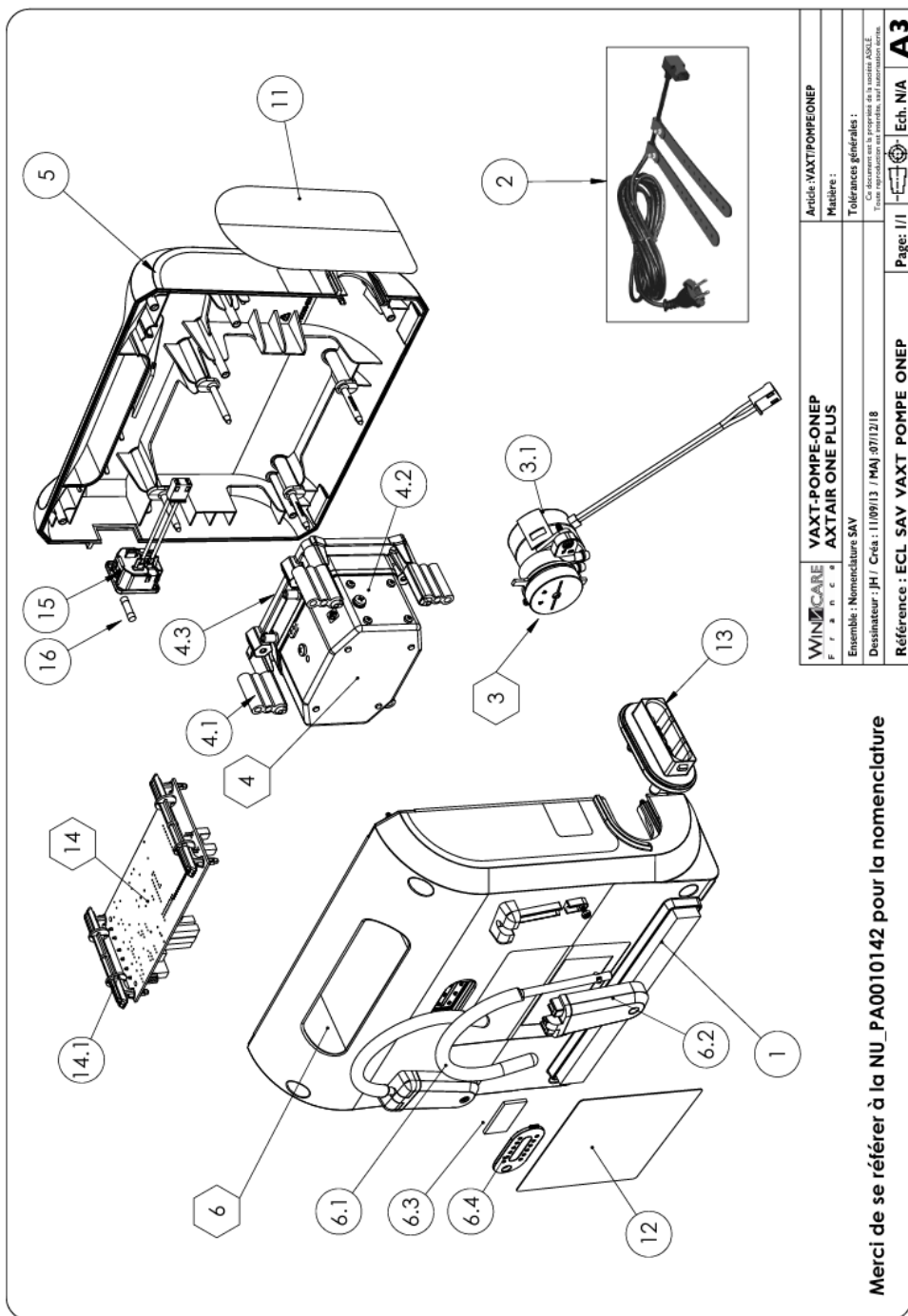
If this label is removed by the user or an unauthorised third party, the integrity of the compressor is no longer proven; WINNCARE France may refuse to accept responsibility for the repair under warranty, and reserves the right to terminate the warranty.

SPARE PARTS

A list of spare parts is available from WINNCARE France after-sales service:

Mail: sav@winncare.fr

AXTAIR ONE PLUS COMPRESSOR – REF. VAXT/POMPE/ONEP



WINNCARE F r a n c e	VAXT-POMPE-ONEP AXTAIR ONE PLUS	Article: VAXT/POMPE/ONEP
Ensemble : Nomenclature SAV		Matériau :
Dessinateur : JH / Créa : I109113 / MAJ :07/12/18		Tolérances générales :
Ce document est la propriété de la société AXOLE. Toute réimpression est formellement interdite.		
Référence : ECL SAV VAXT POMPE ONEP	Page: 1/1	Ech. N/A A3

Merci de se référer à la NU_PA0010142 pour la nomenclature

Rep.	Before		After **	
	References	References	References	Designation
1	PB2050521			Self-adhesive isophonic foam
2	PB2050163			Power cord & clips
3	WS/01/0073*			Air distributor assembly
3.1	PB2050118*			Motor 0.83RPM CW+ connections
4	WS/01/0074*			Pump assembly
4.1	PB2050127*			Silentbloc
4.2	PB2050135*			Air pump
4.3	PB2050126*			Pump support
5	WS/01/0083*	WS/01/0084*		Front shell assembly
6	WS/01/0076*	WS/01/0087*		Rear shell assembly
6.1	PB2050171			Fixing hook
6.2	PB2050140	PB2050343		Fixing bracket hook
6.3	PB2050136			air filter
6.4	PB2050139			Filter cover
11	references depend on the language of your country***			
12	PB2050146	PB2050530		Rear Sticker
13	PB2050210*			Female Connector
14	WS/01/0081*			Electronic PCB+ support x 2
14.1	PB2050138*			PCB support
15	PB2050153*			230 volt female connector
16	PB2050154*			Ceramic Fuse 5x20
//	PB2050337*			Single-dose grease
//	VAXT/KITREV01*			Overhaul kit (all components required for the standard AirCare overhaul)

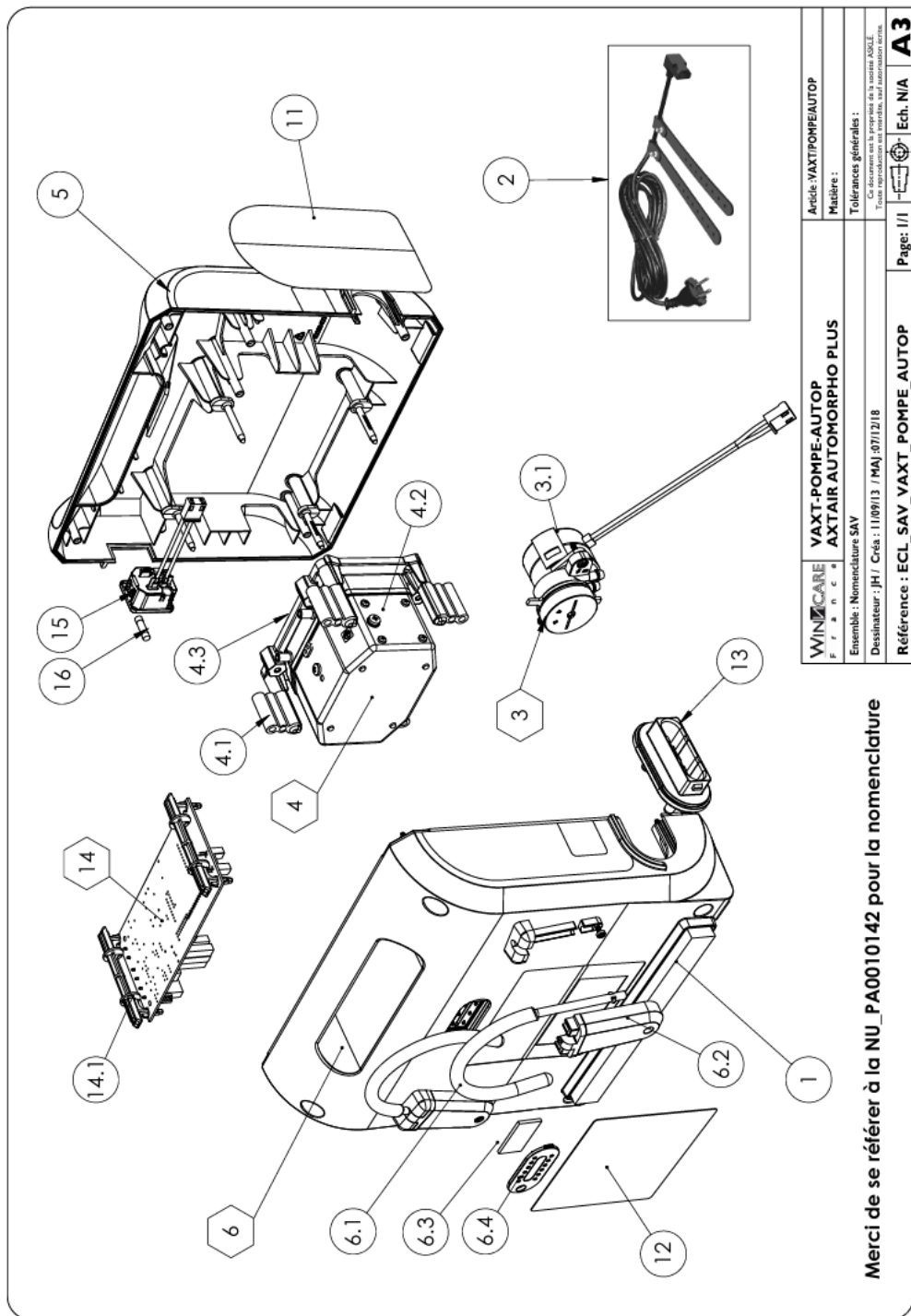
* The use of these references requires the completion of AirCare training.

** Compatible references if the serial number is **higher** than

- 18458140 (VAXT/POMPE/AUTOP)

- 18457072 (VAXT/POMPE/ONEP)

- 18455241 (VAXT6/POMPE/AUTO)



WINNCARE France	VAXT-POMPE-AUTOP AXTAIR AUTOMORPHO PLUS	Article: VAXT/POMPE/AUTOP
Ensemble : Nomenclature SAV		Matériau :
Dessinateur : JH / Crés : I1109113 / MAJ :07/12/18		Tolérances générales :
Référence : ECL_SAV_VAXT_POMPE_AUTOP		Tous reprographes sans autorisation écrite.
	Page: 1/1	Ech. N/A

Merci de se référer à la NU_PA0010142 pour la nomenclature

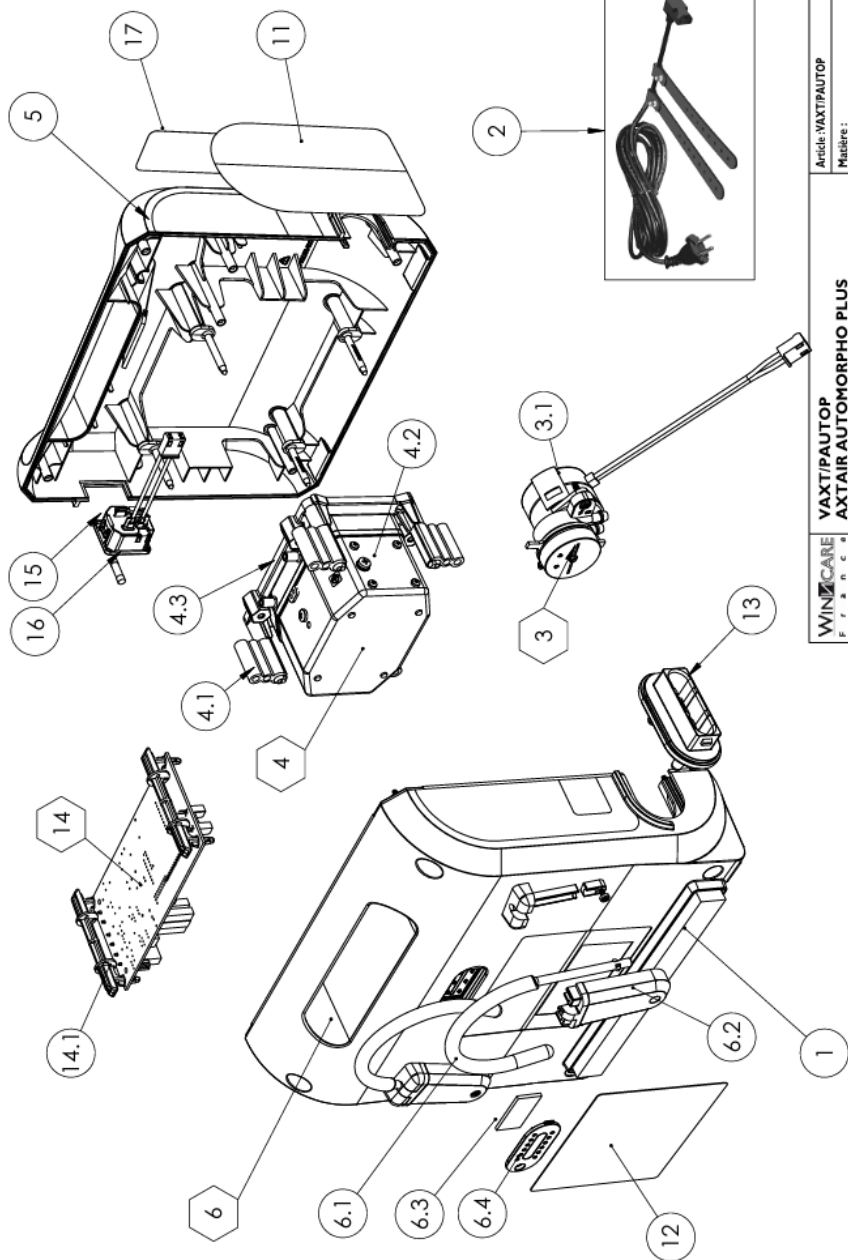
Rep.	Before		After **		Designation
	References	References	References	References	
1	PB2050521				Self-adhesive isophonic foam
2	PB2050163				Power cord & clips
3	WS/01/0073*				Air distributor assembly
3.1	PB2050118*				Motor 0.83RPM CW+ connections
4	WS/01/0074*				Pump assembly
4.1	PB2050127*				Silentbloc
4.2	PB2050135*				Air pump
4.3	PB2050126*				Pump support
5	WS/01/0077*	WS/01/0085*			Front shell assembly
6	WS/01/0076*	WS/01/0087*			Rear shell assembly
6.1	PB2050171				Fixing hook
6.2	PB2050140	PB2050343			Fixing bracket hook
6.3	PB2050136				air filter
6.4	PB2050139				Filter cover
11	references depend on the language of your country				Axtair side sticker
12	PB2050146	PB2050530			Rear Sticker
13	PB2050210*				Female Connector
14	WS/01/0081*				Electronic PCB+ support x 2
14.1	PB2050138*				PCB support
15	PB2050153*				230 volt female connector
16	PB2050154				Ceramic Fuse 5x20
//	PB2050337*				Single-dose grease
//	VAXT/KITREV01*				Overhaul kit (all components required for the standard AirCare overhaul)

* The use of these references requires the completion of AirCare training.

** Compatible references if the serial number is **higher** than :

- 18458140 (VAXT/POMPE/AUTOP)

- 18457072 (VAXT/POMPE/ONEP)



WINNCARE F r a n c e	VAXT/PAUTOP AXTAIR AUTOMORPHO PLUS	Article: VAXT/PAUTOP
	Ensemble : Nomenclature SAV Dessinateur : JH / Cris : 25/11/22	Matière :
Référence : ECL SAV VAXT PAUTOP		Tolérances générales : Les dimensions au programme de fabrication (DIN) Tolerances au programme de fabrication (DIN)
Page: 1/1		Ech. N/A

Merci de se référer à la NU_PA0010142 pour la nomenclature

List of references: VAXT/PAUTOP or VPAUTOP-G-XX

Rep.	References	Designation
1	PB2050521	Self-adhesive isophonic foam
2	PB2050163	Power cord & clips
3	WS/01/0073*	Air distributor assembly
3.1	PB2050118*	Motor 0.83RPM CW+ connections
4	WS/01/0074*	Pump assembly
4.1	PB2050127*	Silentbloc
4.2	PB2050135*	Air pump
4.3	PB2050126*	Pump support
5	WS/01/0085*	Front shell assembly
6	WS/01/0087*	Rear shell assembly
6.1	PB2050171	Fixing hook
6.2	PB2050343	Fixing bracket hook
6.3	PB2050136	air filter
6.4	PB2050139	Filter cover
11	references depend on the	Axtair side sticker
12	PB2050757**	REAR STICKER AXTAIR IP42 CLASS IIa
13	PB2050532*	Female Connector
14	WS/01/0081*	Electronic PCB+ support x 2
14.1	PB2050138*	PCB support
15	PB2050153*	230 volt female connector
16	PB2050154	Ceramic Fuse 5x20
17	PB2050676	QR CODE Sticker
//	PB2050337*	Single-dose grease
//	VAXT/KITREVO1*	Overhaul kit (all components required for the standard AirCare overhaul)

* The use of these references requires the completion of AirCare training.

** Please contact our service department with your compressor serial number

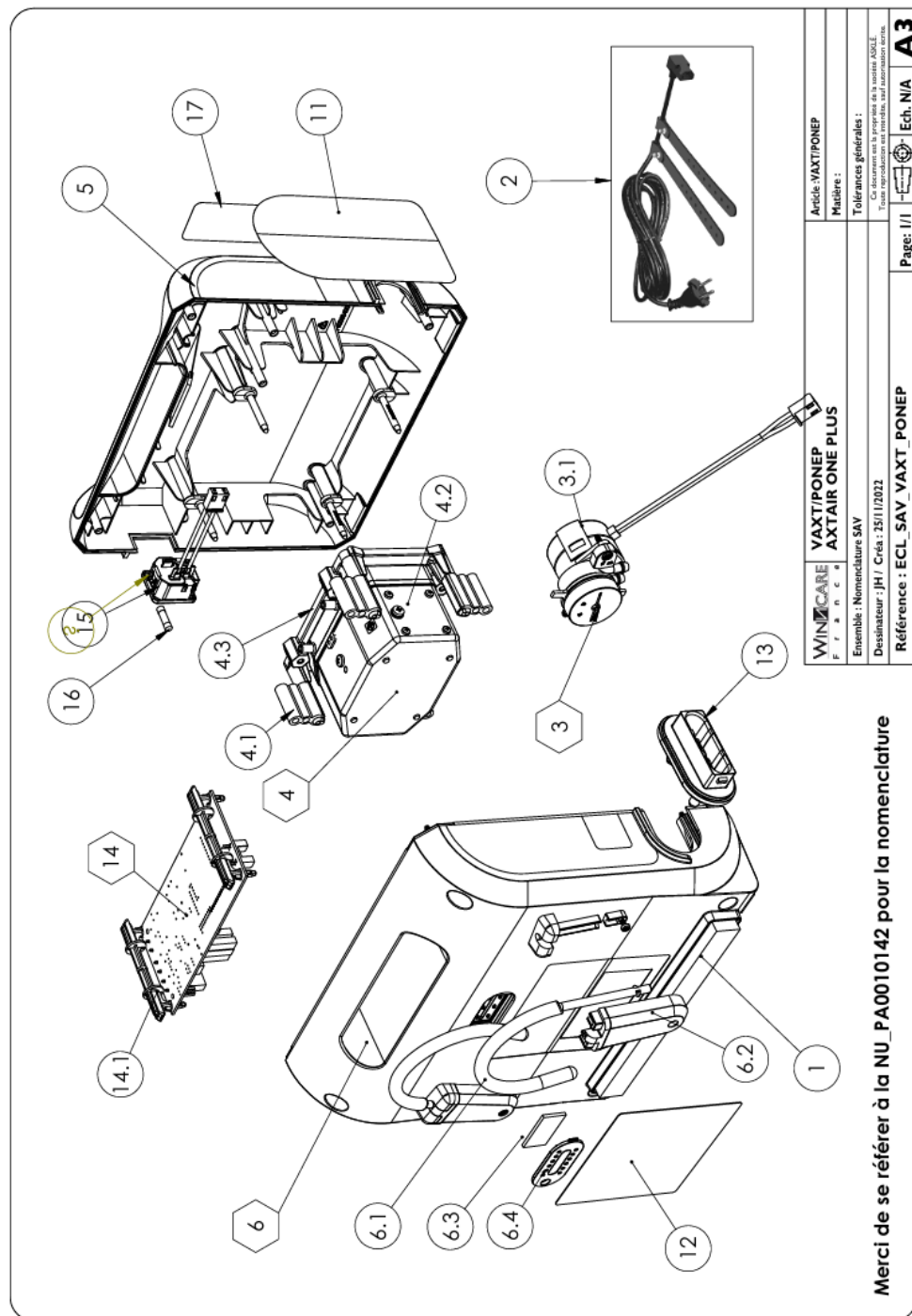
PB2050757 = CLASS IIa PB2050756 = CLASS I

*** PB2050561 = FR PB2050638 = AR PB2050674 = HE PB2050636 = LU PB2050581 = PL

PB2050566 = GB PB2050575 = IT PB2050584 = PT PB2050572 = ES PB2050590 = SK

PB2050569 = DE PB2050578 = NL PB2050587 = DK

AXTAIR ONE PLUS COMPRESSOR – REF. VAXT/PONEP OR VPONEP-G-XX



Rep.	References	Designation
1	PB2050521	Self-adhesive isophonic foam
2	PB2050163	Power cord & clips
3	WS/01/0073*	Air distributor assembly
3.1	PB2050118*	Motor 0.83RPM CW+ connections
4	WS/01/0074*	Pump assembly
4.1	PB2050127*	Silentbloc
4.2	PB2050135*	Air pump
4.3	PB2050126*	Pump support
5	WS/01/0084*	Front shell assembly
6	WS/01/0087*	Rear shell assembly
6.1	PB2050171	Fixing hook
6.2	PB2050343	Fixing bracket hook
6.3	PB2050136	air filter
6.4	PB2050139	Filter cover
11	references depend on the language of your country***	Side Sticker Axtair
12	PB2050757**	REAR STICKER AXTAIR IP42 CLASS IIa
13	PB2050532*	Female Connector
14	WS/01/0081*	Electronic PCB+ support x 2
14.1	PB2050138*	PCB support
15	PB2050153*	230 volt female connector
16	PB2050154*	Ceramic Fuse 5x20
17	PB2050677	Sticker QR CODE
//	PB2050337*	Single-dose grease
//	VAXT/KITREV01*	Overhaul kit (all components required for the standard AirCare overhaul)

* The use of these references requires the completion of AirCare training.

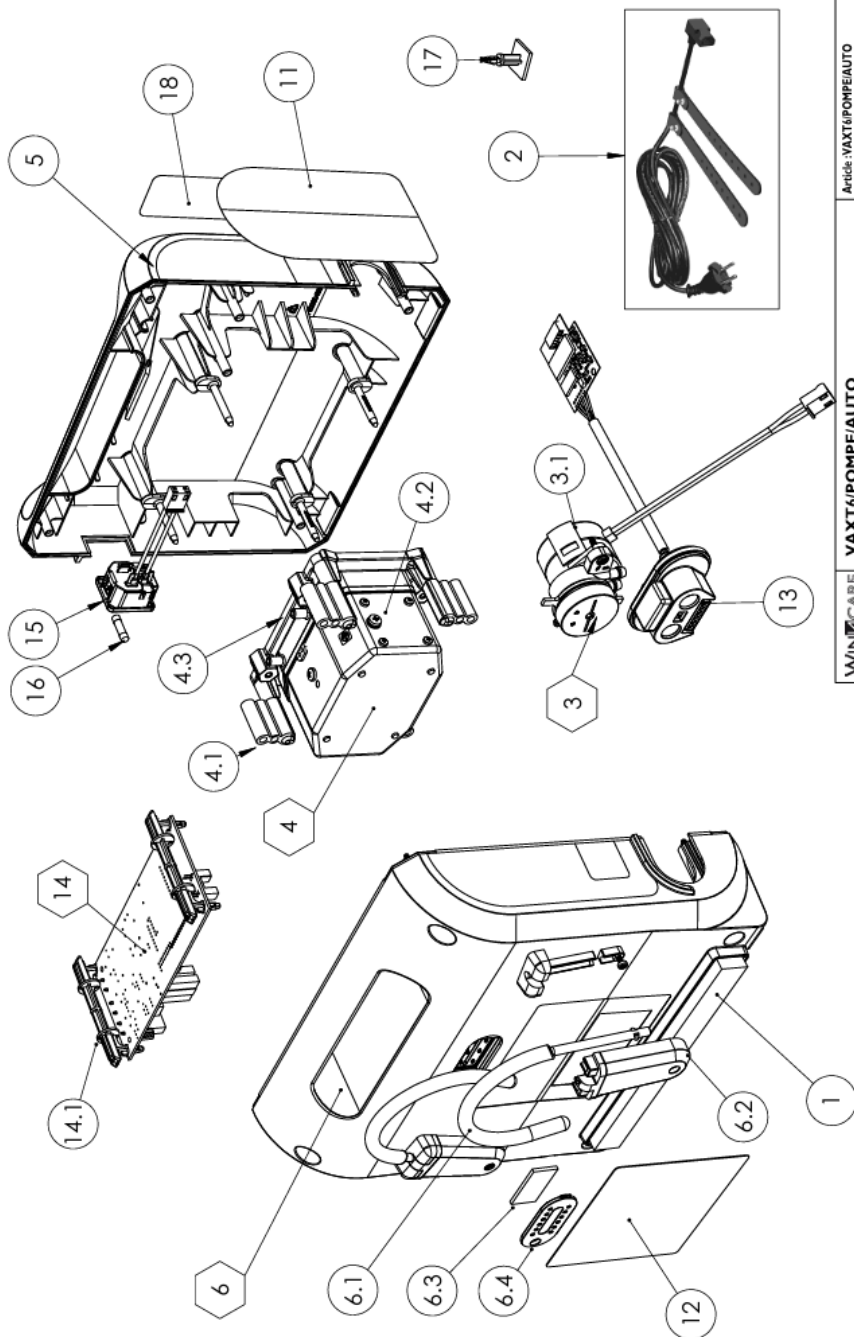
** Please contact our service department with your compressor serial number

PB2050757 = CLASS IIa PB2050756 = CLASS I

*** PB2050561 = FR PB2050638 = AR PB2050674 = HE PB2050636 = LU PB2050581 = PL

PB2050566 = GB PB2050575 = IT PB2050584 = PT PB2050572 = ES PB2050590 = SK

PB2050569 = DE PB2050578 = NL PB2050587 = DK



WINNOCARE F r a n c e	VAXT6/POMPE/AUTO AXTAIR AUTOMORPHO AXENSOR	Article: VAXT6/POMPE/AUTO
Ensemble : Nomenclature SAV		Matière :
Dessinateur : JH / Créa : 11/09/13 / MAJ : 28/11/22		Tolérances générales :
Référence : ECL_SAV_VAXT6_POMPE_AUTO		Conformité aux normes de la société ASOLE Tous droits réservés. Toute réimpression est interdite, sauf autorisation écrite.
Page: 1/1	Ech. N/A	A3

Merci de se référer à la NU_PA0010142 pour la nomenclature

List of references: VAXT6/POMPE/AUTO

Rep.	Before References	After ** References	Designation
1	PB2050521		Self-adhesive isophonic foam
2	PB2050163		Power cord & clips
3	WS/01/0073*		Air distributor assembly
3.1	PB2050118*		Motor 0.83RPM CW+ connections
4	WS/01/0074*		Pump assembly
4.1	PB2050127*		Silentbloc
4.2	PB2050135*		Air pump
4.3	PB2050126*		Pump support
5	WS/01/0075*	WS/01/0086**	Front shell assembly
6	WS/01/0076*	WS/01/0087**	Rear shell assembly
6.1	PB2050171		Fixing hook
6.2	PB2050140*	PB2050343**	Fixing bracket hook
6.3	PB2050136		air filter
6.4	PB2050139		Filter cover
11			references depend on the language of your country***
12	PB2050146*	PB2050530**	Rear sticker
13	WS/01/0080*	WS/01/0080**	Female air/data connector + Axensor Bluetooth card
14	WS/01/0081*		Electronic PCB+ support x 2
14.1	PB2050138*		PCB support
15	PB2050153*		230 volt female connector
16	PB2050154		Ceramic Fuse 5x20
17	PB2050178*		Bluetooth PCB support
18	PB2050553		QR CODE Sticker
//	PB2050337*		Single-dose grease
//	VAXT/KITREV01*		Overhaul kit (all components required for the standard AirCare overhaul)

* The use of these references requires the completion of AirCare training.

** Compatible references if the serial number is **higher** than :

- 18458140 (VAXT/POMPE/AUTOP)

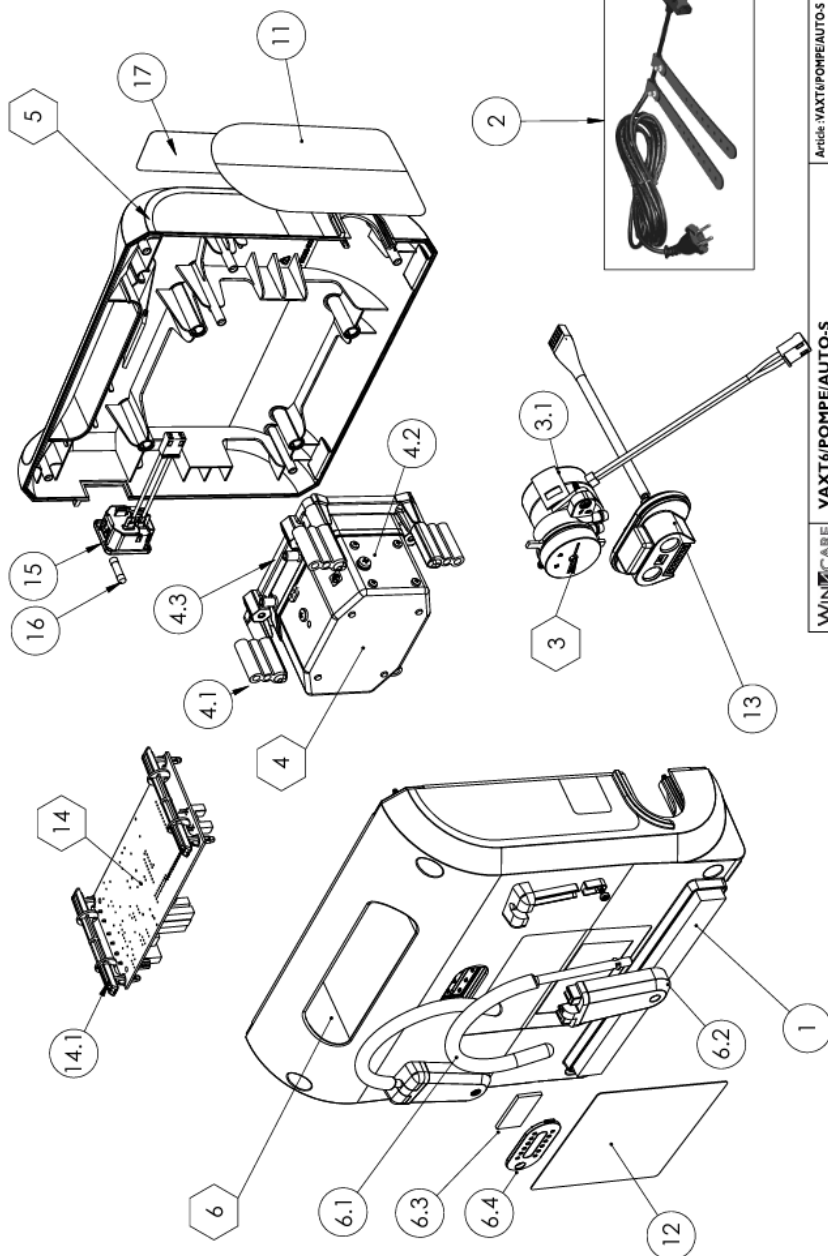
- 18457072 (VAXT/POMPE/ONEP)

*** PB2050567 = GB PB2050576 = IT PB2050585 = PT

PB2050570 = DE PB2050579 = NL PB2050588 = DK

PB2050573 = ES PB2050582 = PL PB2050591 = SK

Axensor pump used with APC cushion, and Axensor AT12, AT15 and AT20 mattresses.



WINNOCARE F r a n c e	VAXT6/POMPE/AUTO-S AXTAIR AUTOMORPHO AXENSOR	Article: VAXT6/POMPE/AUTO-S
Ensemble : Nomenclature SAV		Matériau :
Destinataire : JH / Créa : 12/10/21 - MAJ : 25/11/22		Tolérance générale :
Destinataire : JH / Créa : 12/10/21 - MAJ : 25/11/22		Tolérance générale :
Page: 1/1	Page: 1/1	Ech. NIA

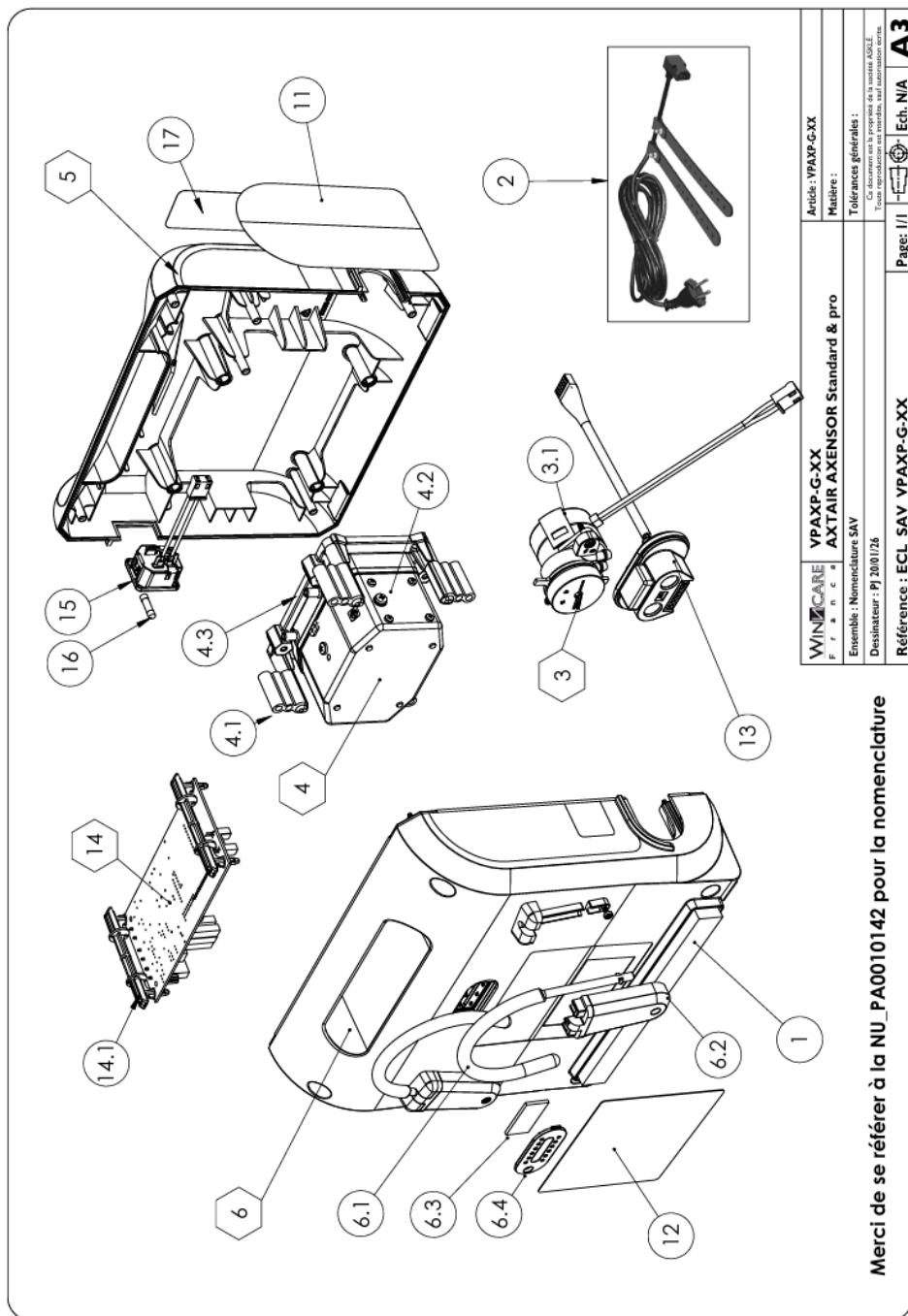
Merci de se référer à la NU_PA0010142 pour la nomenclature

Rep.	References	Designation
1	PB2050521	Self-adhesive isophonic foam
2	PB2050163	Power cord & clips
3	WS/01/0073*	Air distributor assembly
3.1	PB2050118*	Motor 0.83RPM CW+ connections
4	WS/01/0074*	Pump assembly
4.1	PB2050127*	Silentbloc
4.2	PB2050135*	Air pump
4.3	PB2050126*	Pump support
5	WS/01/0092*	Front shell assembly
6	WS/01/0087*	Rear shell assembly
6.1	PB2050171	Fixing hook
6.2	PB2050343	Fixing bracket hook
6.3	PB2050136	air filter
6.4	PB2050139	Filter cover
11	references depend on the language of your country**	Axtair side sticker
12	PB2050757	REAR STICKER AXTAIR IP42 CLASS Ila
13	WS/01/0093*	Female air/data connector + wiring
14	WS/01/0081*	Electronic PCB+ support x 2
14.1	PB2050138*	PCB support
15	PB2050153*	230 volt female connector
16	PB2050154	Ceramic Fuse 5x20
17	PB2050553	QR CODE Sticker
//	PB2050337*	Single-dose grease
//	VAXT/KITREV01*	Overhaul kit (all components required for the standard AirCare overhaul)

- * The use of these references requires the completion of AirCare training.
- ** Please contact our service department with your compressor serial number
- ** PB2050757 = CLASS Ila PB2050756 = CLASS I
- *** PB2050567= G8 PB2050576 = IT PB2050585 = PT PB2050563 = FR
 PB2050570 = DE PB2050579 = NL PB2050588 = DK PB2050673 = AR
 PB2050573 = ES PB2050582 = PL PB2050591 = SK PB2050637 = LU

AXTAIR AXENSOR® COMPRESSOR – REF. VPAXP-G-XX

Axensor pump used with APC cushion, and Axensor AT20 Standard and Pro mattresses.



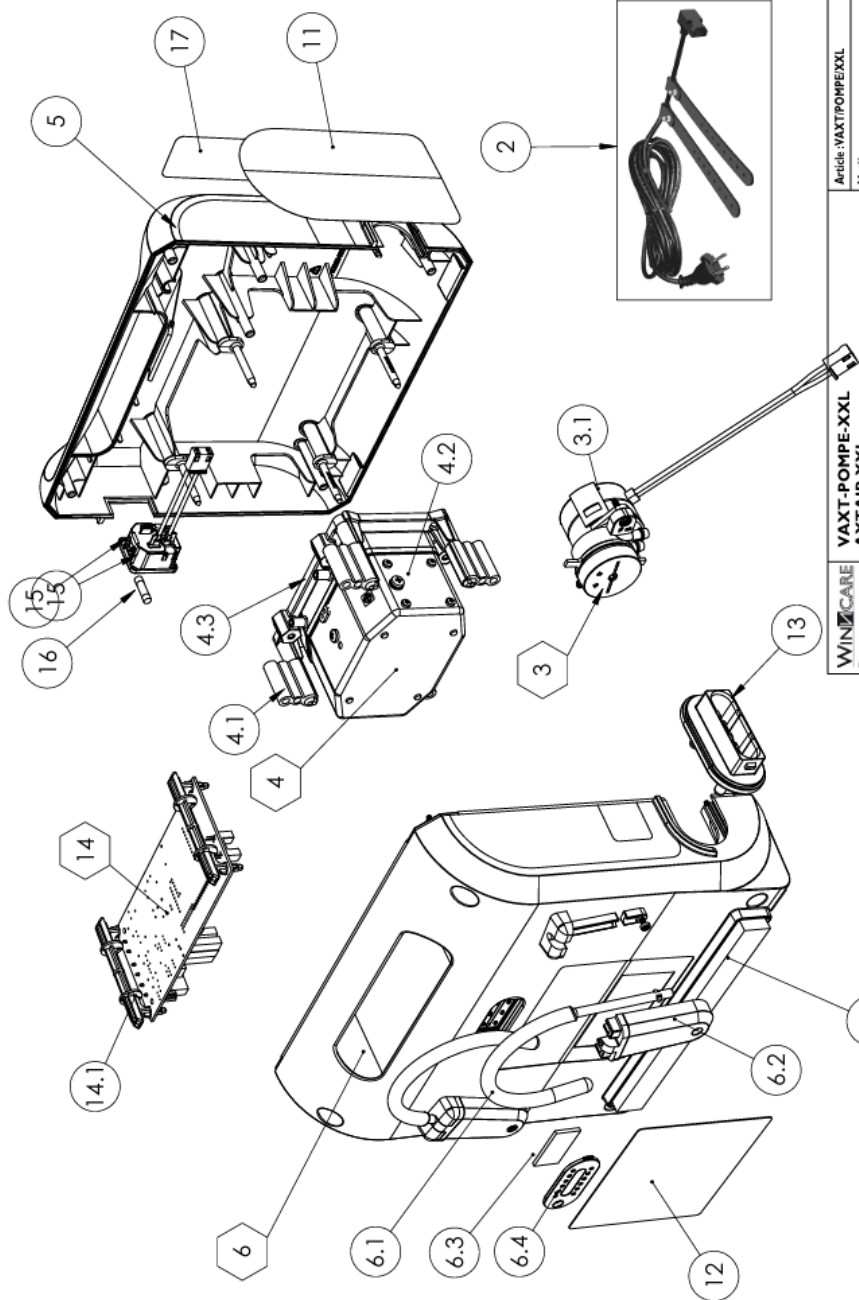
WINNCARE F r a n c e	VPAXP-G-XX AXTAIR AXENSOR Standard & pro	Article : VPAXP-G-XX
Ensemble : Nomenclature SAV		Matériau :
Dessinateur : PJ 2001726		Tolérances générales :
		Co. Accurateur : PJ 2001726
		Tous droits réservés. Toute réimpression ou utilisation sans autorisation est interdite.
	Référence : ECL_SAV_VPAXP-G-XX	Page : III
		Ech. N/A

Merci de se référer à la NU_PA0010142 pour la nomenclature

Rep.	References	Designation
1	PB2050521	Self-adhesive isophonic foam
2	PB2050163	Power cord & clips
3	WS/01/0073*	Air distributor assembly
3.1	PB2050118*	Motor 0.83RPM CW+ connections
4	WS/01/0074*	Pump assembly
4.1	PB2050127*	Silentbloc
4.2	PB2050135*	Air pump
4.3	PB2050126*	Pump support
5	WS/01/0100 *	Front shell assembly
6	WS/01/0087*	Rear shell assembly
6.1	PB2050171	Fixing hook
6.2	PB2050343	Fixing bracket hook
6.3	PB2050136	air filter
6.4	PB2050139	Filter cover
11	references depend on the language of your country***	Axtair side sticker
12	PB2050757	REAR STICKER AXTAIR IP42 CLASS Ila
13	WS/01/0093*	Female air/data connector + wiring
14	WS/01/0081*	Electronic PCB+ support x 2
14.1	PB2050138*	PCB support
15	PB2050153*	230 volt female connector
16	PB2050154	Ceramic Fuse 5x20
17	PB2050675	QR CODE Sticker
//	PB2050337*	Single-dose grease
//	VAXT/KITREV01*	Overhaul kit (all components required for the standard AirCare overhaul)

* The use of these references requires the completion of AirCare training.

*** PB2050682= GB PB2050680= FR



WINNCARE F r a n c e	VAXT-POMPE-XXL AXTAIR XXL	Article : VAXT/POMPE/XXL
	Ensemble : Nomenclature SAV	Matière :
	Dessinateur : JH / Créa : 11/09/13 / MAJ : 25/11/22	Tolérances générales :
	Référence : ECL_SAV_VAXT_POMPE_XXL	Ce document est la propriété de la société AXOLE. Toute réimpression ou utilisation non autorisée sans la permission écrite de la société AXOLE est formellement interdite.
Page : 1/1		Ech. N/A

Merci de se référer à la NU_PA0010142 pour la nomenclature

List of references: VAXT/POMPE/XXL or VPXXL-A-XX

1	PB2050521	Self-adhesive isophonic foam
2	PB2050163	Power cord & clips
3	WS/01/0073*	Air distributor assembly
3.1	PB2050118*	Motor 0.83RPM CW+ connections
4	WS/01/0074*	Pump assembly
4.1	PB2050127*	Silentbloc
4.2	PB2050135*	Air pump
4.3	PB2050126*	Pump support
5	WS/01/0088*	Front shell assembly
6	WS/01/0087*	Rear shell assembly
6.1	PB2050171	Fixing hook
6.2	PB2050343	Fixing bracket hook
6.3	PB2050136	Air filter
6.4	PB2050139	Filter cover
11	references depend on the language of your country***	Side sticker Axtair
12	PB2050757**	REAR STICKER AXTAIR IP42 CLASS IIa
13	PB2050210*	Female Connector
14	WS/01/0081*	Electronic PCB+ support x 2
14.1	PB2050138*	PCB support
15	PB2050153*	230 volt female connector
16	PB2050154*	Ceramic Fuse 5x20
17	PB2050553	QR CODE Sticker
//	PB2050337*	Single-dose grease
//	VAXT/KITREV01*	Overhaul kit (all components required for the standard AirCare overhaul)

* the use of these references requires the AirCare training

** Please contact our service department with your compressor serial number

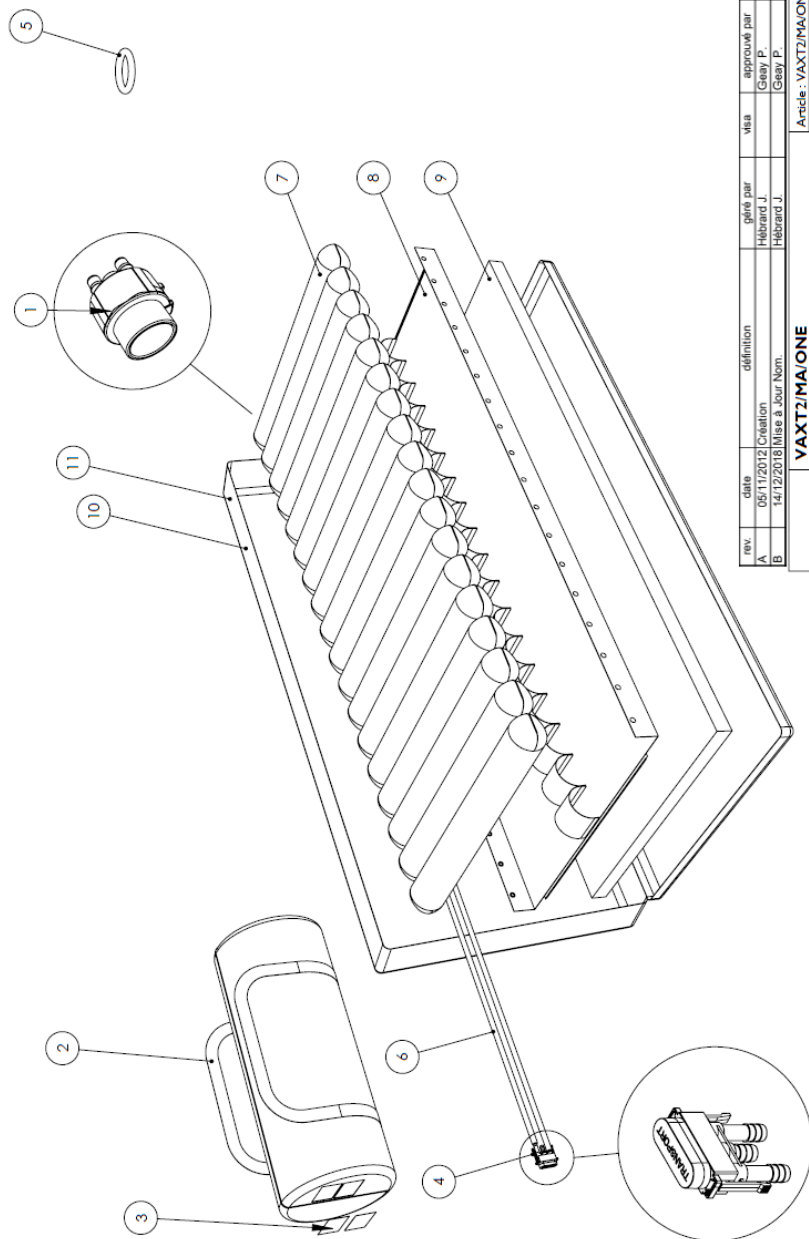
PB2050757 = CLASS IIa PB2050756 = CLASS I

*** PB2050568 = GB PB2050577 = IT PB2050586 = PT PB2050562 = FR

PB2050571 = DE PB2050580 = NL PB2050589 = DK

PB2050574 = ES PB2050583 = PL PB2050592 = SK

AXTAIR ONE PLUS MATTRES – REF. VAXT2/MA/ONE



rev.	date	description	défini par	visé	approuvé par	visé
A	05/11/2012	Création	Hébrard J		Geay P.	
B	14/12/2018	Mise à jour Norm.	Hébrard J		Geay P.	

Article : VAXT2/MA/ONE
 Matière :

Ensemble : Nomenclature SAV

Spécifications : FH / Cries : 1200/118 - MAJ : 28/11/22

Préférence : ECL_SAV_VAXT2_MA_ONE

Merci de se référer à la NIU_PA0010142 pour la nomenclature

Tolérances générales :
 Ce document est la propriété de la société WINNCAE.
 Toute réimpression est interdite, sauf autorisation écrite.

Ech. 1/7



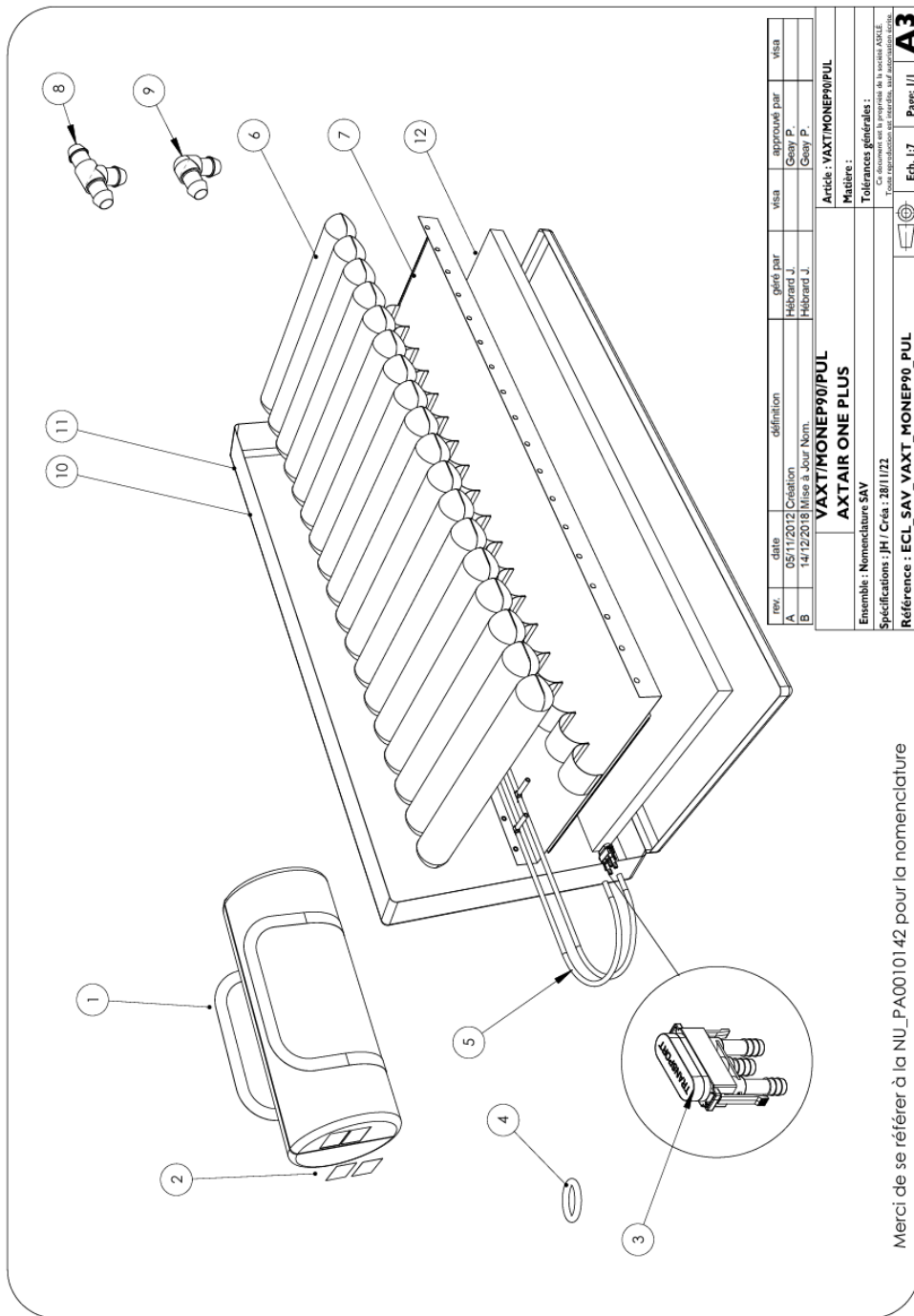
Page: 1/1

A3

List of references: VAXT/MA/ONE

Rep.	References	Designation
1	WS/02/0052	2 position rotary CPR valve
2	VAXT/SB	Transport bag
3	PB2050593	Dirty/clean label
4	PB2050213	Complete male pneumatic connector
5	PB0050026	O-ring for male connector
6	PB2040069	Grey pipe
7	PB2040116	Automorpha & One 2 PU cell - 87 cm
8	PB2040124	Axtair holding sheet - 87 cm : AT12/V4/ONE2/ONE PLUS
9	VAXT/MS	Single mattress AXTAIR
10	VHCIC/AXT2/ONE	Complete Cover CIC
11	VHIP/AXT2/ONE	Complete Cover PU

AXTAIR ONE PLUS MATTRESS – REF. VAXT/MONEP90/XXX or VMONEP-090GX-XX



rev.	date	description	géré par	visa	approuvé par
A	05/11/2012	Création	Hébrard J.		Geay P.
B	14/12/2018	Mise à Jour Nom.	Hébrard J.		Geay P.

Article : VAXT/MONEP90/PUL
 Matière :
 Ensemble : Nomenclature SAV

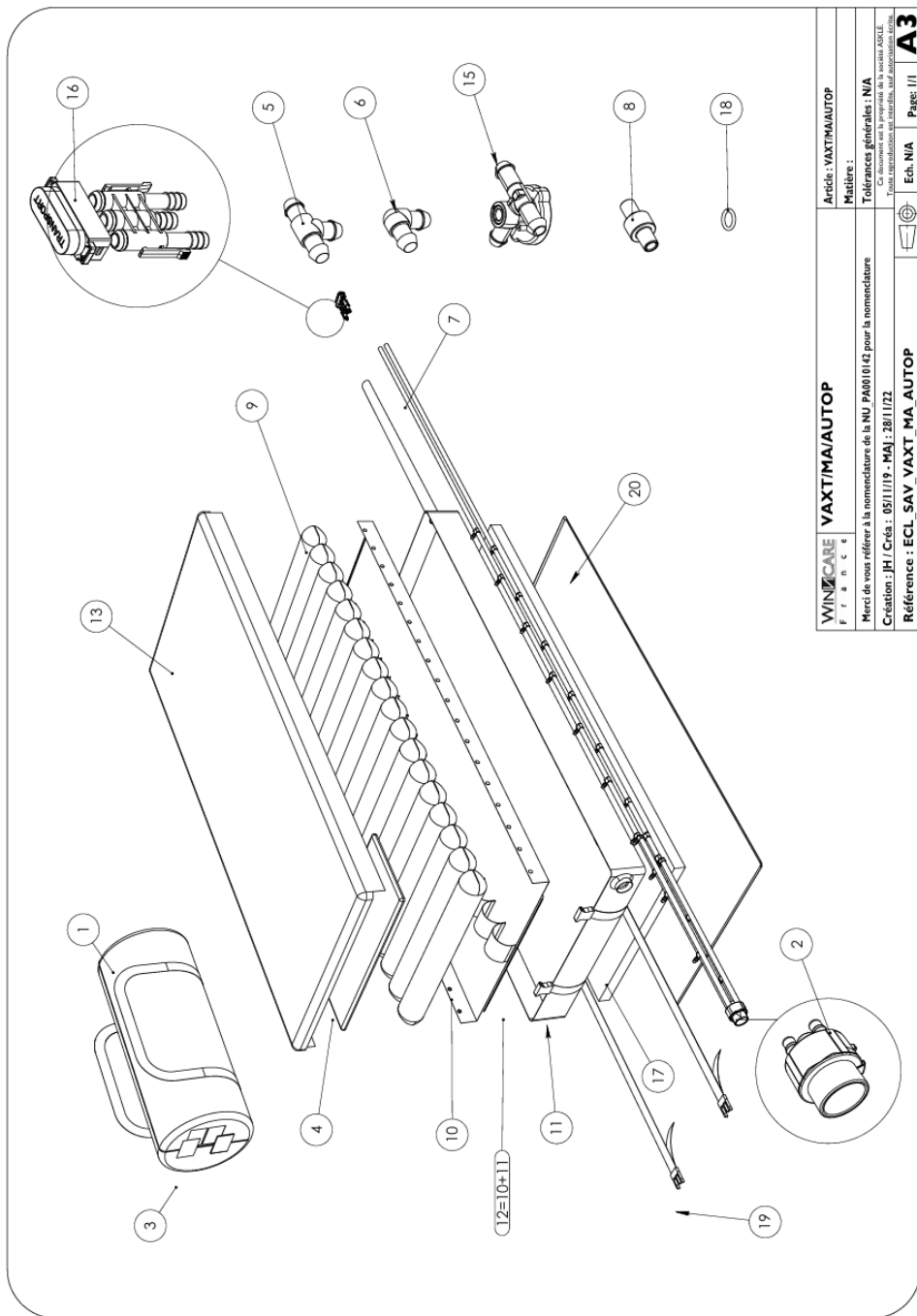
Specifications : JH / Crés ; 28/11/22
 Référence : ECL_SAV_VAXT_MONEP90_PUL

Tolérances générales :
 Ce document est la propriété de la société ASCLÉ.
 Toute réimpression est interdite, sauf autorisation.
 Ech. I:7 Page: 1/1 **A3**

Merci de se référer à la NU_PA0010142 pour la nomenclature

List of references: VAXT/MONEP90/XXX or VMONEP-090GX-XX

Rep.	References	Designation
1	VAXT/SB	Transport bag
2	PB2050593	Dirty/clean label
3	PB2050539	Complete male pneumatic connector
4	PB0050026	O-ring for male connector
5	PB2040069	Grey pipe
6	PB2040116	Automorpho & One 2 PU cell - 87 cm
7	PB2040124	Axtair holding sheet - 87 cm : AT12/V4/ONE2/ONE PLUS
8	PB2050634	T Connector
9	PB2050635	L Connector
10	VHCIC/AXT/ONEP	Complete Cover CIC
11	VHIP/AXT/ONEP	Complete Cover PU
12	VAXT/MS	Single mattress AXTAIR

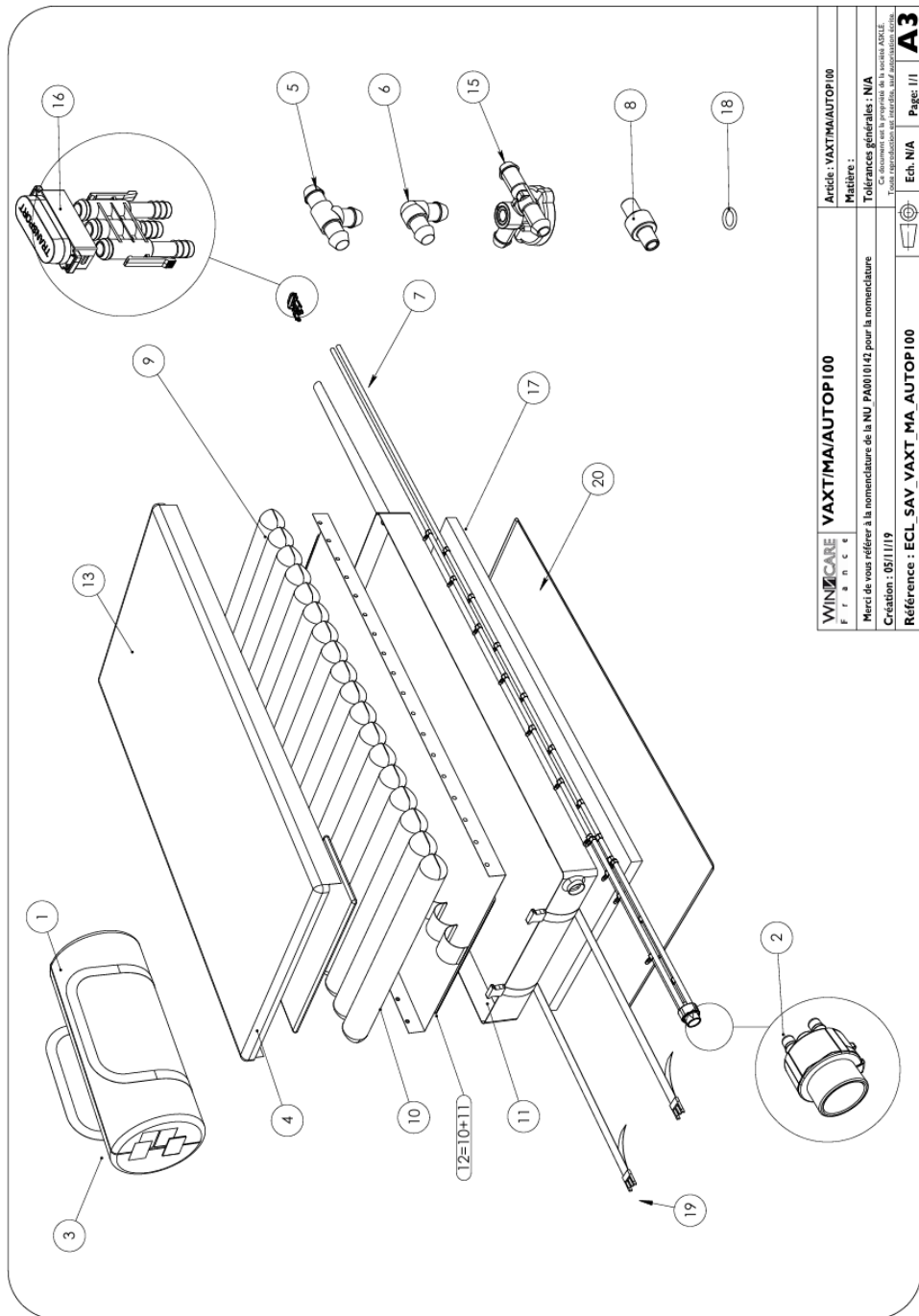


WINNCARE F r a n c e	VAXT/MA/AUTOP	Article : VAXT/MA/AUTOP
Merci de vous référer à la nomenclature de la NU PA001042 pour la nomenclature		Matière : N/A
Création : JH / Crea : 05/11/19 - MAJ : 28/11/22		Tolérances générales : N/A
Référence : ECL_SAV_VAXT_MA_AUTOP		Ech. N/A
		Page: 1/1

Rep.	References	Designation
1	VAXT/SB	Transport bag
2	WS/02/0052	2 position rotary CPR valve
3	PB2050593	Dirty/clean label
4	PB2050497	Foam head cushion
5	PB2050634	T Connector
6	PB2050635	L Connector
7	PB2040069	Grey pipe
8	PB2050285	Non-return valve + silencer
9	PB2040116	Automorpha & One 2 PU cell - 87 cm
10	PB2040124	Axtair holding sheet - 87 cm : AT12/V4/ONE2/ONE PLUS
11	PB2050167	MA AUTO PVC base - 87 cm
12	PB2050219	MA AUTO PVC base - 87 cm+ Holding sheet
13	VHCIC/AXT90-H**	Top cover Axtair CIC
14	VHPH/AXT90-H**	Top cover Axtair PUHD
15	PB2050531	Heel discharge valve
16	PB2050213	Complete male pneumatic connector complete
17	VAXT/MS	Single mattress AXTAIR
18	PB0050026	O-ring for male connector
19	PB2050093	Built-in buckle 38 mm
20	VHAG/AXT-B	Axtair Antislip bottom cover

*the use of these references requires the AirCare training

** CIC cover allows the use of the original pillow. Not the case for the PUHD version

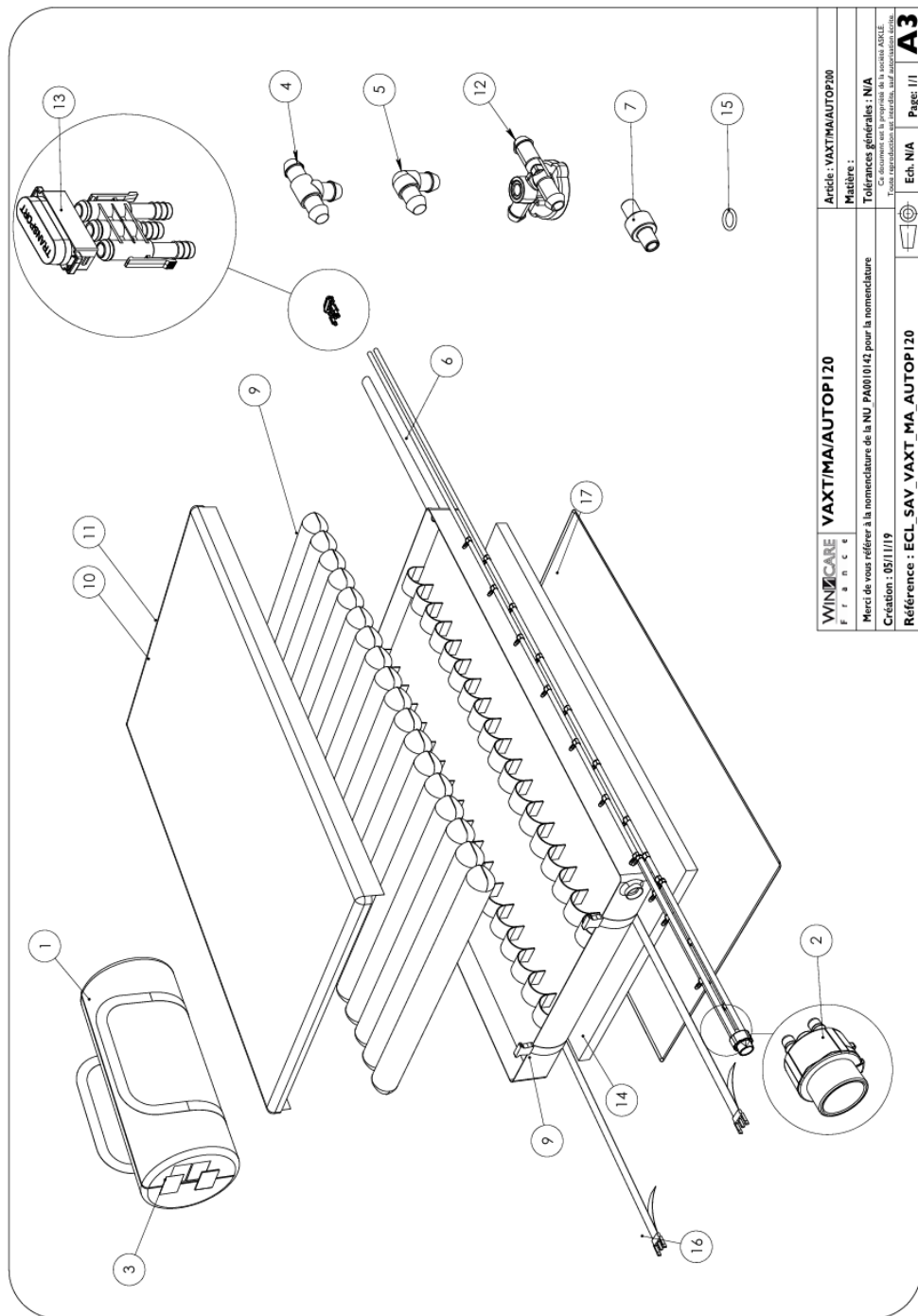


WINNCARE F r a n c e	VAXT/MA/AUTOP100	Article : VAXTMAAUTOP100
		Matériau :
Merci de vous référer à la nomenclature de la NU PA0010142 pour la nomenclature		
Tolérances générales : N/A		
Création : 05/11/19		
Tous droits réservés. Toute réimpression sans autorisation écrite.		
Référence : ECL_SAV_VAXT_MA_AUTOP100		Ech. N/A Page: III

Rep.	References	Designation
1	VAXT/SB-XL	Transport Bag Axtair XL
2	WS/02/0052	2 position rotary CPR valve
3	PB2050593	Dirty/clean label
4	PB2050497	Foam head cushion
5	PB2050634	T connector
6	PB2050635	L connector
7	PB2040069	Grey pipe
8	PB2050285	Non-return valve + silencer
9	PB2040131	PU cell 1 end cap L97 H12
10	PB2050287	Axtair holding sheet Auto 100
11	PB2050286	MA AUTO PVC base Auto 100
12	PB2050288	MA AUTO PVC base Auto 100 + holding sheet
13	VHCIC/AXT100-H**	Top cover Axtair 100 CIC
14	VHPH/AXT100-H**	Top cover Axtair 100 PUHD
15	PB2050531	Heel discharge valve
16	PB2050213	Complete male pneumatic connector complete
17	VAXT/MS/100	Single mattress AXTAIR AUTO 100
18	PB0050026	O-ring for male connector
19	PB2050093	Built-in buckle 38 mm
20	VHAG/AXT/100-B	Axtair Antislip bottom cover AUTO 100

*the use of these references requires the AirCare training

** CIC cover allows the use of the original pillow. Not the case for the PUHD version



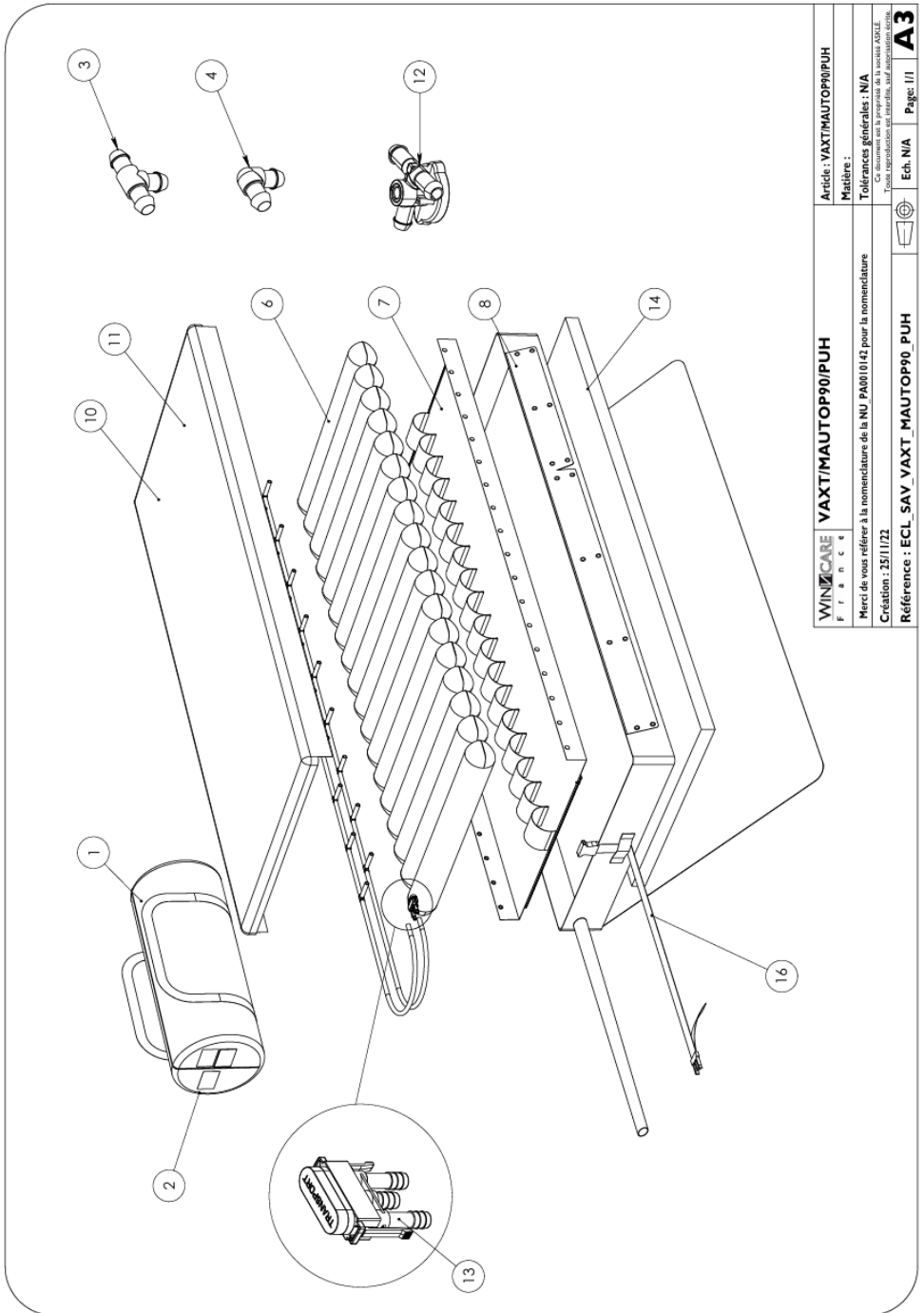
WINNCARE F r a n c e	VAXT/MA/AUTOP120	Article : VAXT/MA/AUTOP120
Merci de vous référer à la nomenclature de la NU_PA0010142 pour la nomenclature		Matériau : N/A
Création : 05/11/19		Tolérances générales : N/A
Référence : ECL_SAV_VAXT_MA_AUTOP120		Ce document est la propriété de la société AXLE. Toute réimpression ou utilisation, sans autorisation AXLE, est formellement interdite.
		Ech. N/A Page: 1/1

List of references: VAXT/MA/AUTOP120

Rep.	Références	Désignation
1	VAXT/SB-XL	Transport Bag Axtair XL
2	WS/02/0052	2 position rotary CPR valve
3	PB2050593	Dirty/clean label
4	PB2050634	T connector
5	PB2050635	L connector
6	PB2040069	Grey pipe
7	PB2050285	Non-return valve + silencer
8	PB2040126	PU cell 1 end cap L117 H12
9	PB2050066	MA AUTO PVC base Auto 120
10	VHCIC/AXT120-H	Top cover Axtair 120 CIC
11	VHPH/AXT120-H	Top cover Axtair 120 PUHD
12	PB2050531	Heel discharge valve
13	PB2050213	Complete male pneumatic connector complete
14	VAXT/MS/XL	Single mattress AXTAIR AUTO 120
15	PB0050026	O-ring for male connector
16	PB2050093	Built-in buckle 38 mm
17	VHAG/AXT/XL-B	Axtair Antislip bottom cover AUTO 120

*the use of these references requires the AirCare training

AXTAIR AUTOMORPHO PLUS MATTRESS – REF. VAXT/MAUTOP90/XXX or VMAUTOP-090GX-XX

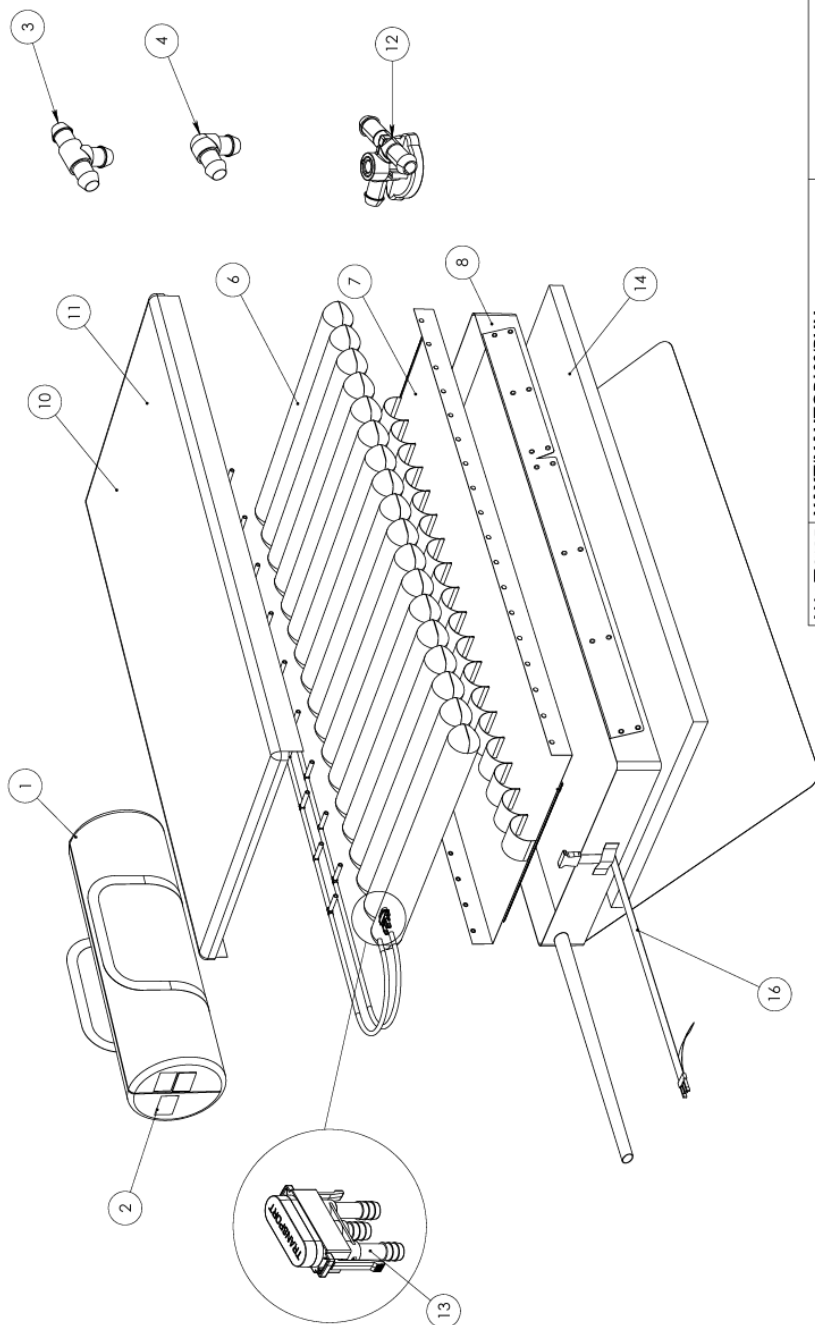


WINN CARE F r a n c e	VAXT/MAUTOP90/PUH	Article : VAXT/MAUTOP90/PUH
	Merci de vous référer à la nomenclature de la NU PA0010142 pour la nomenclature	Matière :
	Création : 25/11/22	Tolérances générales : N/A
	Référence : ECL_SAV_VAXT_MAUTOP90_PUH	Tous droits réservés. Toute réimpression est interdite, sauf autorisation écrite.
		Ech. N/A Page: 1/1
		A3

List of references: VAXT/MAUTOP90/XXX or VMAUTOP-090GX-XX

Rep.	References	Designation
1	VAXT/SB	Transport bag
2	PB2050593	Dirty/clean label
3	PB2050634	T Connector
4	PB2050635	L Connector
5	PB2040069	Grey pipe
6	PB2040116	Automorpho & One 2 PU cell - 87 cm
7	PB2040124	Axtair holding sheet - 87 cm : AT12/V4/ONE2/ONE PLUS
8	PB2050534	MA AUTO PVC base - 87 cm
9	PB2050535	MA AUTO PVC base - 87 cm+ Holding sheet
10	VHCIC/AXT90-H	Top cover Axtair CIC
11	VHPH/AXT90-H	Top cover Axtair PUHD
12	PB2050531	Heel discharge valve
13	PB2050539	Complete male pneumatic connector complete
14	VAXT/MS	Single mattress AXTAIR
15	PB0050026	O-ring for male connector
16	VAXT/SANG	Axtair Strap Base

*the use of these references requires the AirCare training

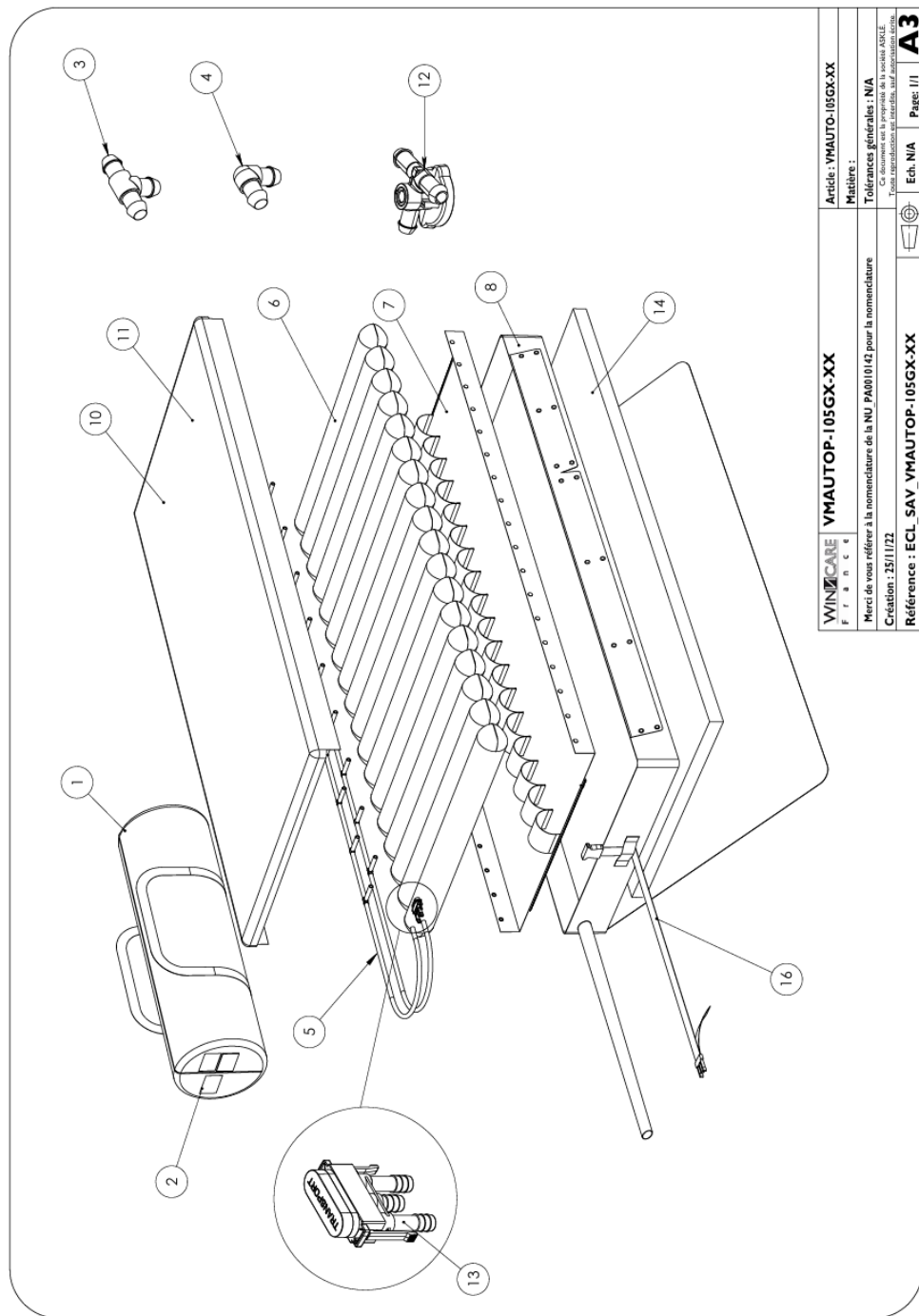


WINNCARE F r a n c e	VAXT/MAUTOP100/PUH	Article : VAXT/MAUTOP100/PUH
Merci de vous référer à la nomenclature de la NU PA0010142 pour la nomenclature des accessoires.		Matériau : /
Création : 25/11/22		Tolérances générales : N/A
Référence : ECL_SAV_VAXT_MAUTOP100_PUH		Tous droits réservés © 2022 Tous renseignements en matière de droits réservés réservés.
		Ech. N/A Page: 1/1



Rep.	References	Designation
1	VAXT/SB-XL	Transport Bag Axtair XL
3	PB2050593	Dirty/clean label
5	PB2050634	T connector
6	PB2050635	L connector
7	PB2040069	Grey pipe
9	PB2040131	PU cell 1 end cap L97 H12
10	PB2050287	Axtair holding sheet Auto 100
11	PB2050557	MA AUTO PVC base Auto 100
11	PB2050558	MA AUTO PVC base Auto 100 + Holding sheet
13	VHCIC/AXT100-H	Top cover Axtair 100 CIC
14	VHPH/AXT100-H	Top cover Axtair 100 PUHD
15	PB2050531	Heel discharge valve
16	PB2050539	Complete male pneumatic connector complete
14	VAXT/MS/100	Single mattress AXTAIR Auto Plus 100
18	PB0050026	O-ring for male connector
16	VAXT/SANG	Axtair Strap Base

*the use of these references requires the AirCare training



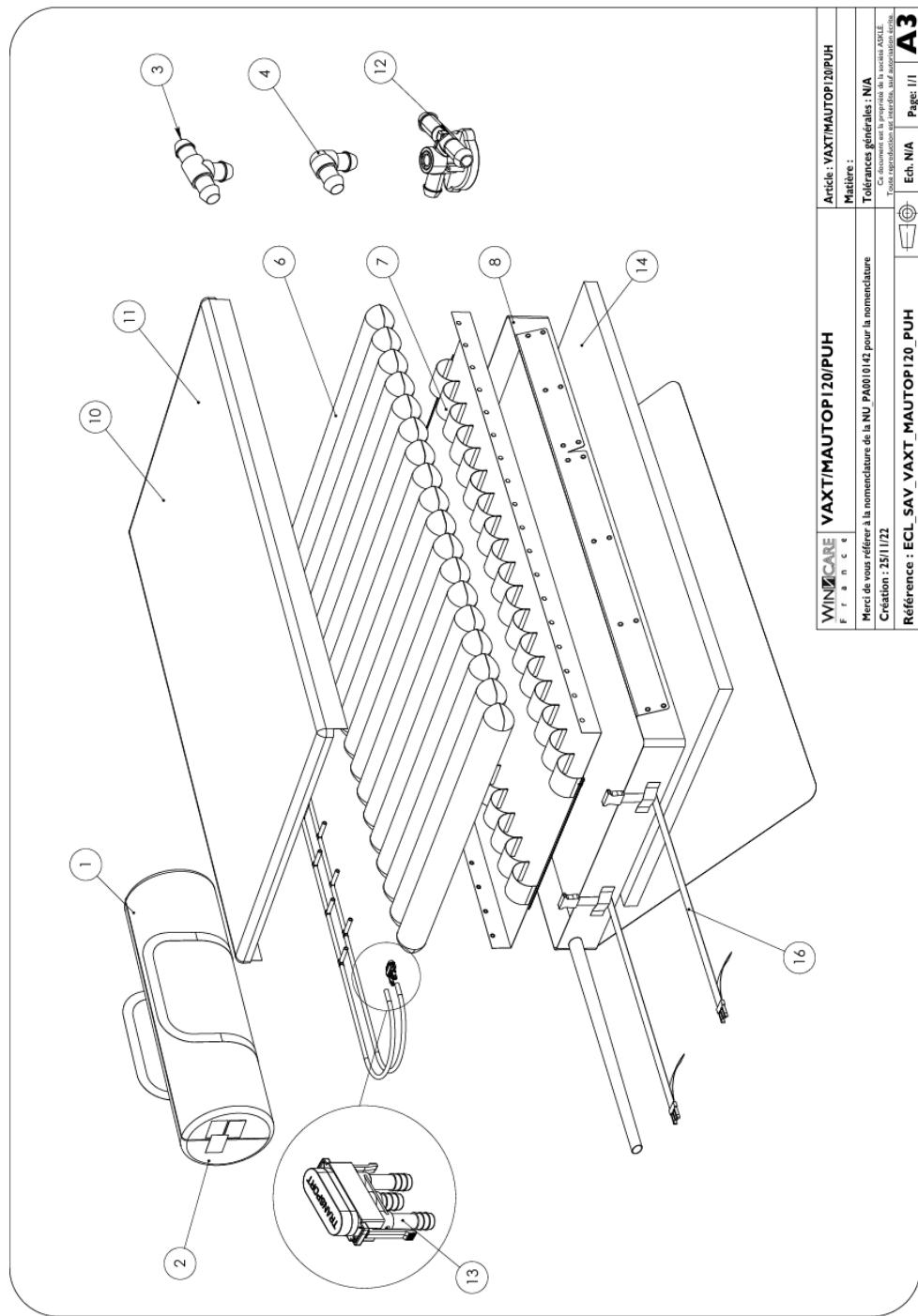
WINNCARE F. T. A. B. S. C. E.	VMAUTOP-105GX-XX	Article : VMAUTO-105GX-XX
Merci de vous référer à la nomenclature de la NU PA001042 pour la nomenclature		Matière :
Création : 23/11/22.		Tolérances générales : N/A
Référence : ECL_SAV_VMAUTOP-105GX-XX		Tous droits réservés. Interdit de copier.
		Ech. N/A Page: 1/1

A3

List of references: VMAUTOP-105GX-XX

Rep.	References	Designation
1	PB2050740	Transport Bag AXTAIR 105
2	PB2050593	Dirty/clean label
3	PB2050634	T connector
4	PB2050535	L connector
5	PB2040069	Grey pipe
6	PB2050686	PU cell L105 H12
7	PB2050738	holding sheet 105
8	PB2050737	CAISSON MA AUTOP 105
9	PB2050739	CAISSON AUTOP 105 + holding sheet
10	THPH/AXT105-H	Top cover Axtair 105 PUHD
11	THCIC/AXT105-H	Top cover Axtair105 CIC
12	PB2050531	Heel discharge valve
13	PB2050539	Complete male pneumatic connector complete
14	PA9030110	Single mattress 1950X1010X50 MM 18 KG
15	PB0050026	O-ring for male connector
16	VAXT/SANG	ROLLING STRAP

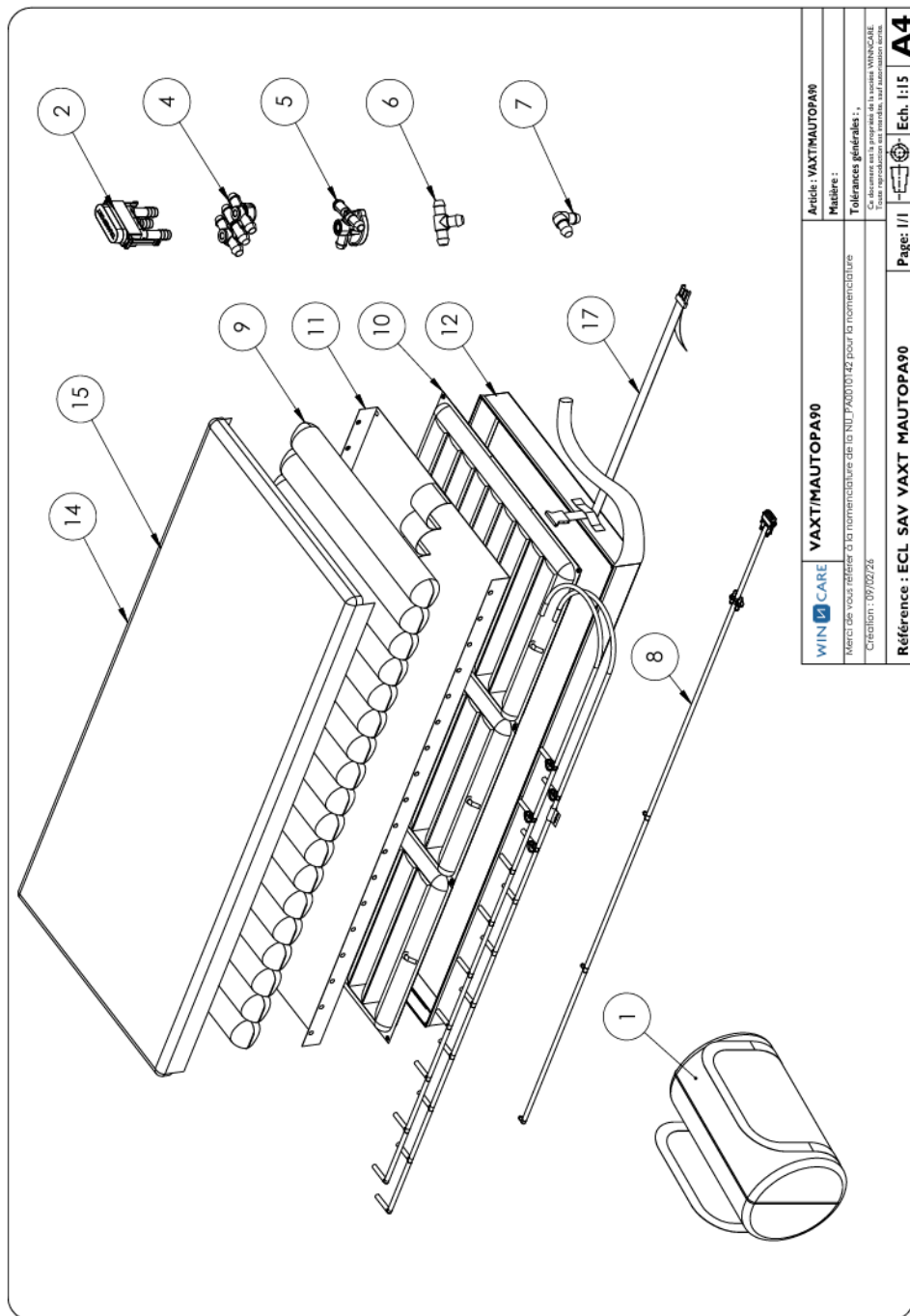
*the use of these references requires the AirCare training



WINNOCARE F R A N C E	VAXT/MAUTOP120/PUH	Article : VAXT/MAUTOP120/PUH
Merci de vous référer à la nomenclature de la NU_PA0010142 pour la nomenclature		Matière : N/A
Création : 25/11/22		Tolérances générales : N/A
Référence : ECL_SAV_VAXT_MAUTOP120_PUH		Tous droits réservés. Toute réimpression sans autorisation est formellement interdite.
		Ech. N/A Page: 1/1

Rep.	Références	Désignation
1	VAXT/SB-XL	Transport Bag Axtair XL
3	PB2050593	Dirty/clean label
4	PB2050634	T connector
5	PB2050635	L connector
6	PB2040069	Grey pipe
8	PB2040126	PU cell 1 end cap L117 H12
7	PB2050554	Axtair holding sheet Auto 120
8	PB2050555	MA AUTO PVC base Auto 120
9	PB2050556	MA AUTO PVC base Auto 120 + Holding sheet
10	VHCIC/AXT120-H	Top cover Axtair 120 CIC
11	VHPH/AXT120-H	Top cover Axtair 120 PUHD
12	PB2050531	Heel discharge valve
13	PB2050539	Complete male pneumatic connector complete
14	VAXT/MS/XL	Single mattress AXTAIR AUTO 120
15	PB0050026	O-ring for male connector
16	VAXT/SANG	Axtair Strap Base

*the use of these references requires the AirCare training

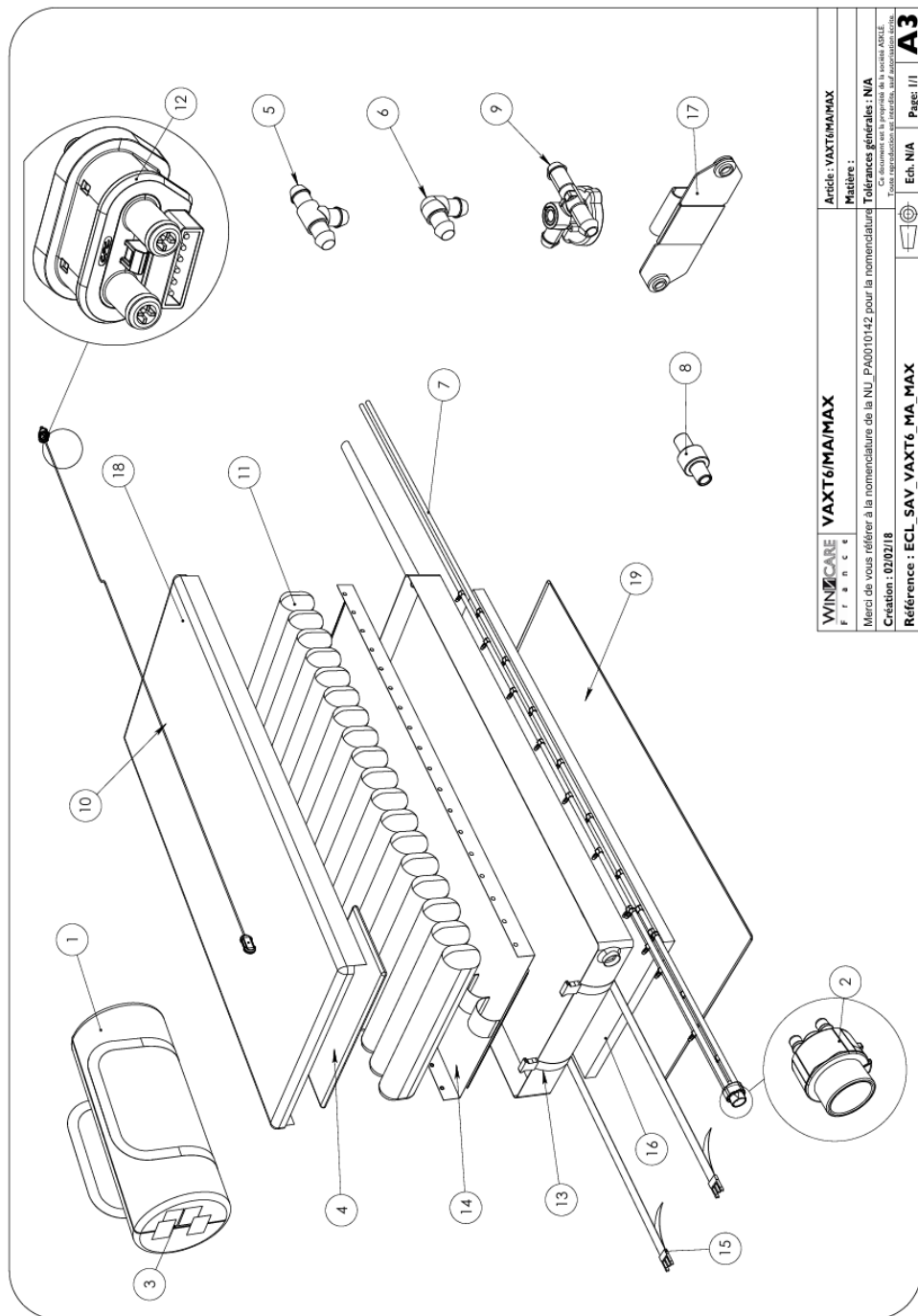


Rep.	References	Designation
1	PB2050683	Transport Bag AXTAIR 90 compact
2	PB2050539	Complete male pneumatic connector complete
3	PB0050026	O-ring for male connector
4	PB2050685	Double flap connector
5	PB2050634	T connector
6	PB2050535	L connector
8	PB2040069	Grey pipe
9	PB2040116	PU cell L87 H12
10	WS/01/0099	STATIC BASE MODULE AFTER-SALES SERVICE KIT
11	PB2050734	holding sheet 87 AIR STATIC BASE
12	PB2050745	CAISSON AUTOP 90 STATIC BASE
13	PB2050746	CAISSON AUTOP 90 STATIC B + holding sheet
14	THPH/AXT90-H	Top cover Axtair 90 PUHD
15	THCIC/AXT90-H	Top cover Axtair 90 CIC
16	PB2050727	Male and female rivets
17	VAXT/SANG	ROLLING STRAP

*the use of these references requires the AirCare training

Rep.	Reference	Designation
1	VAXT/SB	Transport bag
2	WS/02/0052	2 position rotary CPR valve
3	PB2050593	Dirty/clean label
4	PB2050497	Foam head cushion
5	PB2050634	T connector
6	PB2050635	L connector
7	PB2040069	Grey pipe
8	PB2050285	Non-return valve + silencer
9	PB2050531	Heel discharge valve
10	WS/02/0054	Male connector + Axensor sensor
11	PB2040116	Automorpho & One 2 PU cell - 87 cm
12	PB2050162*	Hybrid male coupler
13	PB2050167	Axensor AT12 Base
14	PB2050124	Axtair holding sheet - 87 cm AT12/V4/ONE2
15	PB2050093	Built-in buckle 38 mm
16	VAXT/MS	Single mattress AUTO
17	PB2050333	Axensor box support
18	VHCIC/AXT90-H	Top cover Axtair CIC
19	VHAXT/BAS	Axtair Antislip bottom cover

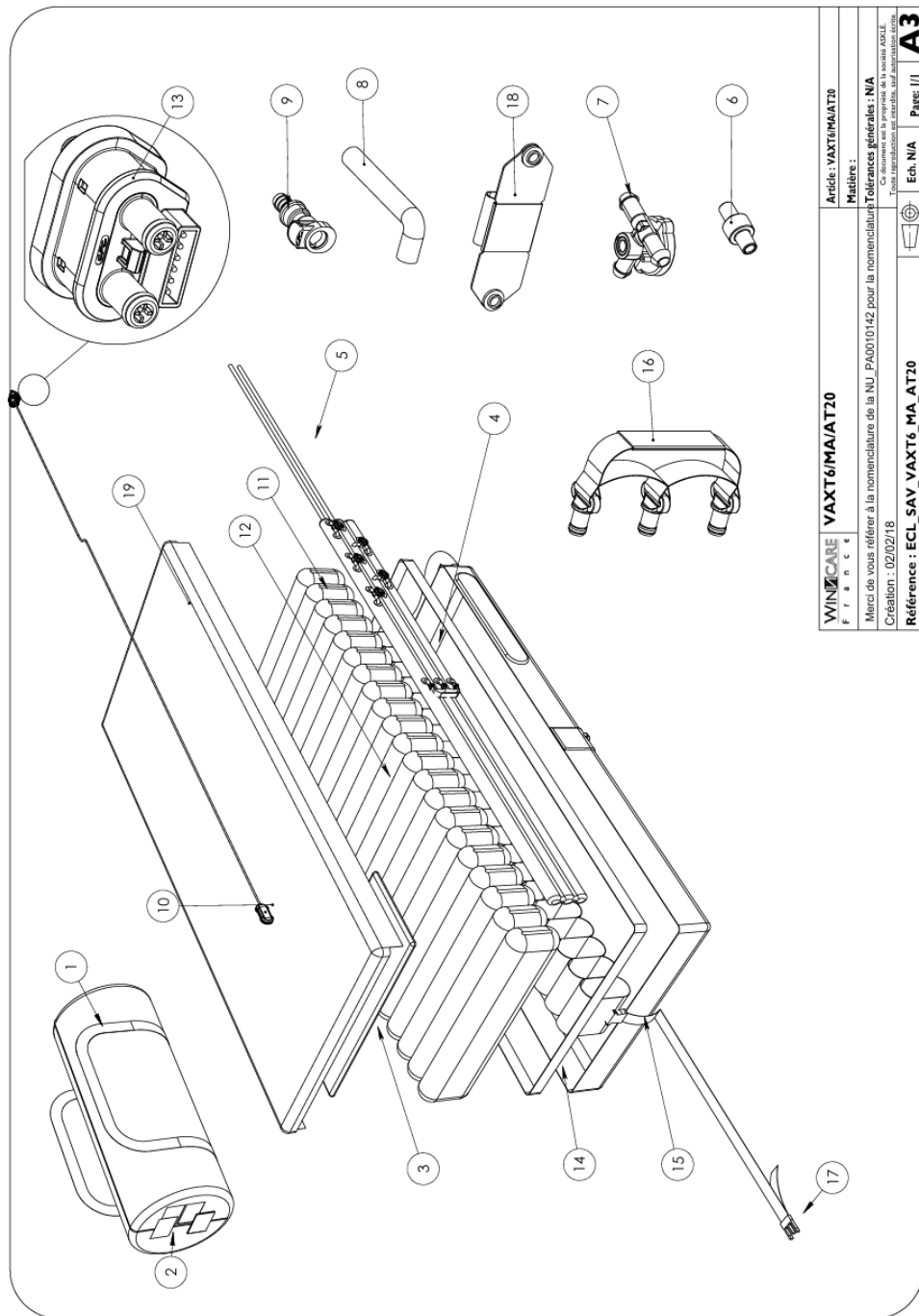
*the use of these references requires the AirCare training



WINNCARE France	VAXT6/MA/MAX	Article: VAXT6/MAX
Merci de vous référer à la nomenclature de la NU PA0010142 pour la nomenclature		Matière : N/A
Création : 02/02/18		Tolérances générales : N/A
Référence : ECL_SAV_VAXT6_MA_MAX		Tous droits réservés. Toute réimpression sans autorisation est interdite.
		Ech. N/A Page: 1/1

Rep.	Reference	Designation
1	VAXT/SB	Transport Bag
2	WS/02/0052	2 position rotary CPR valve
3	PB2050593	Dirty/clean label
4	PB2050497	Foam head cushion
5	PB2050634	T connector
6	PB2050635	L connector
7	PB2040069	Grey pipe
8	PB2050285	Non-return valve + silencer
9	PB2050531	Heel discharge valve
10	WS/02/0054	Male connector + Axensor sensor
11	PB2040128	Axensor cell AT15
12	PB2050162*	Hybrid male coupler
13	PB2050194	Axensor base AT15
14	PB2050193	Axtair holding sheet Axensor AT15
15	PB2050093	Built-in buckle 38 mm
16	VAXT/MS	Single mattress AXTAIR
17	PB2050333	Axensor box support
18	VHCIC/AXT90-H	Top cover Axtair CIC
19	VHAXT/BAS	Axtair Antislip bottom cover

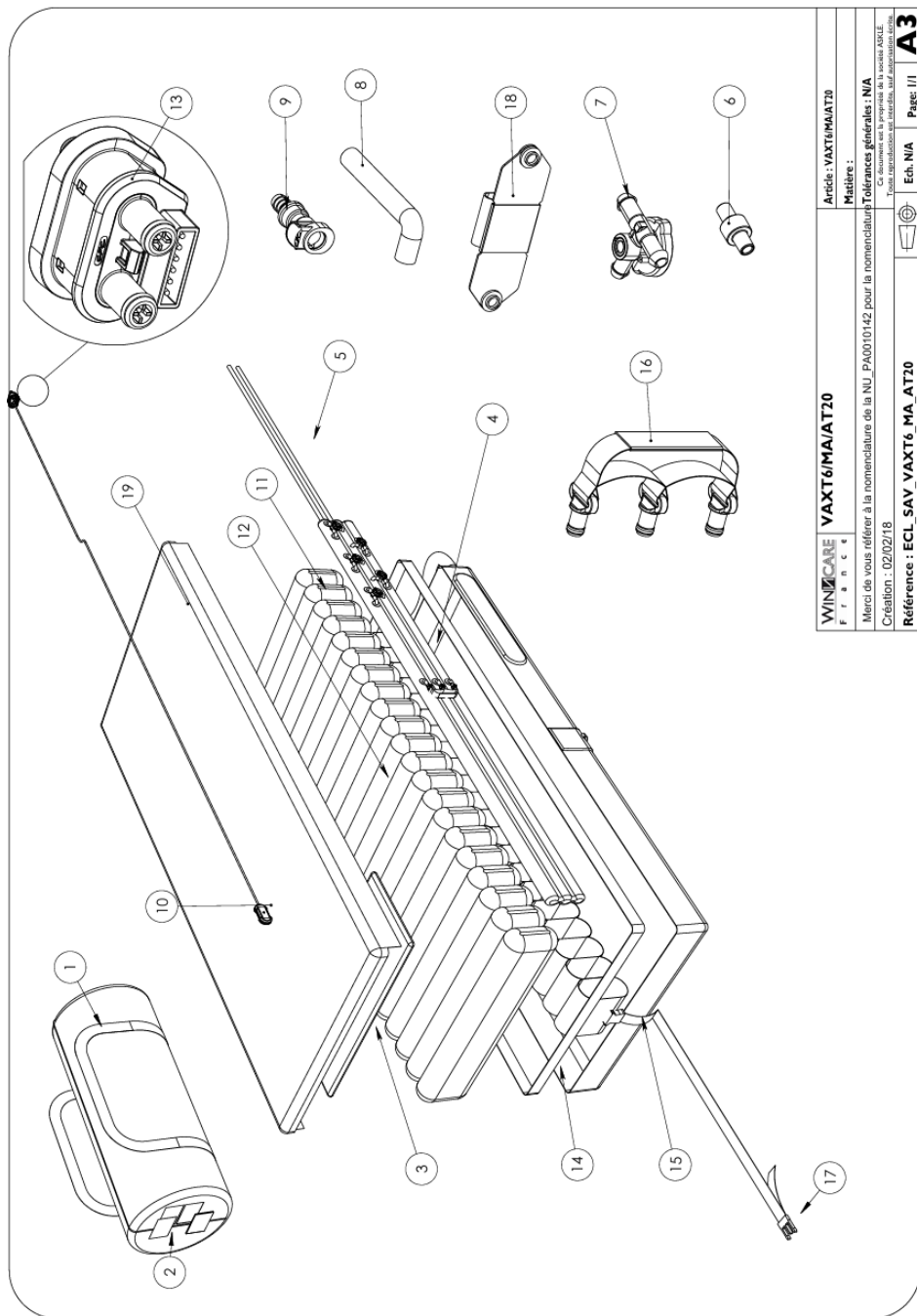
*the use of these references requires the AirCare training



WINNCARE F r a n c e	VAXT6/MA/AT20	Article: VAXT6/MA/AT20
Merci de vous référer à la nomenclature de la NU_PA0010142 pour la nomenclature		Matière : 1
Création : 02/02/18		Tolérances générales : N/A
Référence : ECL_SAV_VAXT6_MA_AT20		Tous les matériaux en standard, sauf indication contraire.
		Ech. N/A Page: 1/1
		A3

Rep.	Reference	Designation
1	VAXT/SB	Transport bag
2	PA0020105	Dirty/clean label
3	PB2050497	Foam head cushion
4	PB2050418	Pneumatic harness
5	PB2040069	Grey pipe
6	PB2050285	Non-return valve + silencer
7	PB2050531	Heel discharge valve
8	PB2050330	Elbow pipe
9	PB2050084	Self-sealing female connector
10	PB2050182	Hybrid male coupler + Axensor sensor
11	PB2050434	Axensor cell ype 1
12	PB2050435	Axensor cell ype 2
13	PB2050162*	Hybrid male coupler
14	PB2050326	Holding sheet
15	PB2050332	AT20 base
16	PB2050352	CPR handle
17	PB2050093	Built-in buckle 38 mm
18	PB2050333	Axensor box support
19	VHCIC/AXT90-H	CIC top cover

*the use of these references requires the AirCare training



WINNCARE France
VAXT6/MA/AT20

Article : VAXT6MAAT20
 Matière :

Merci de vous référer à la nomenclature de la NU_PA0010142 pour la nomenclature Tolérances générales : N/A
 Création : 02/02/18
 Toute reproduction ou utilisation sans autorisation est interdite.

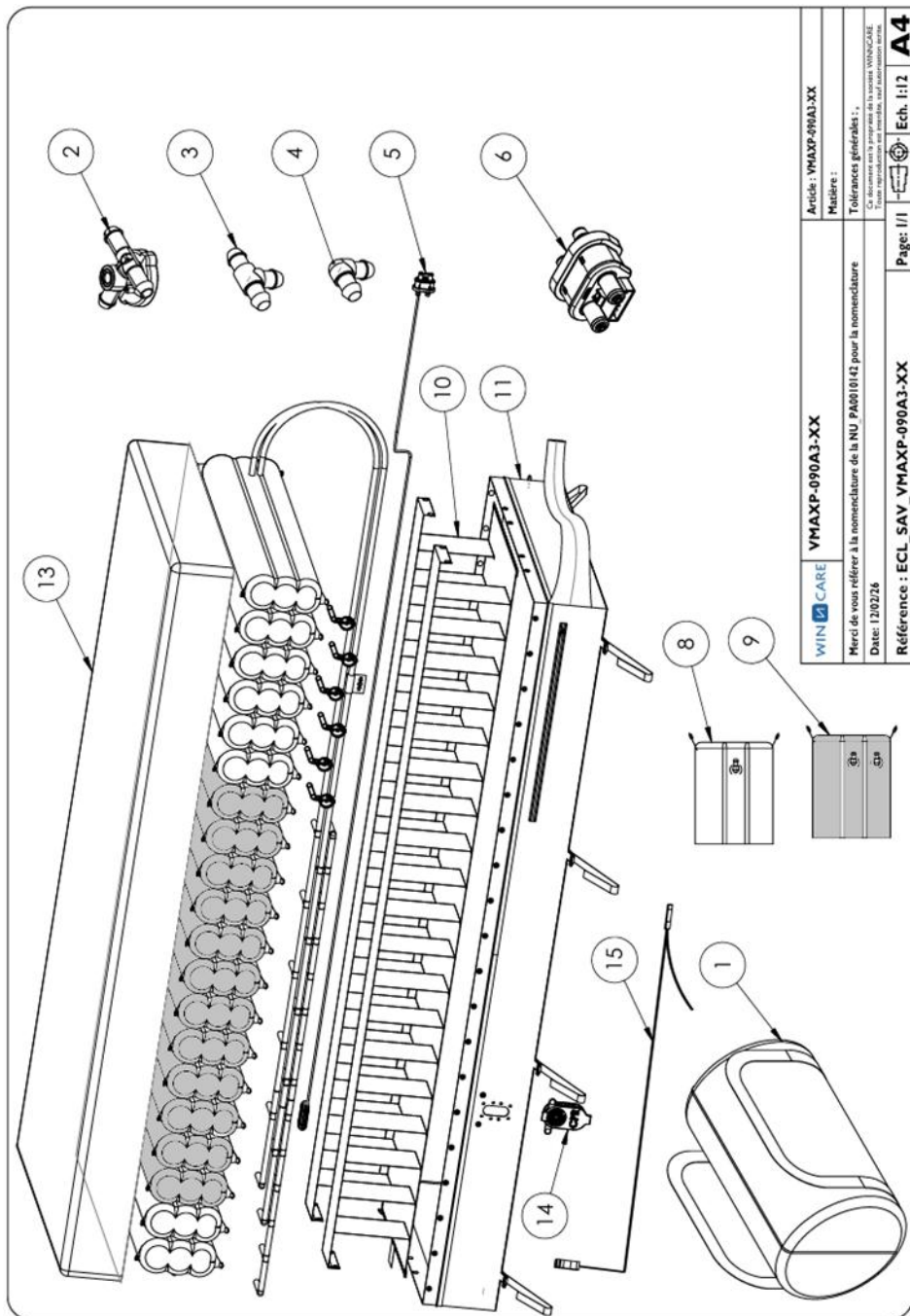
Référence : ECL_SAV_VAXT6_MA_AT20

Ech. N/A Page III

A3

Rep.	Référence	Désignation
1	VAXT/SB	Transport bag
2	PA0020105	Dirty/clean label
3	PB2050497	Foam head cushion
4	PB2050418	Pneumatic harness
5	PB2050231	Tuyau Cristal 8,3x14,3 L1200mm
6	PB2050285	Non-return valve + silencer
7	PB2050531	Heel discharge valve
8	PB2050330	Elbow pipe
9	PB2050084	Self-sealing female connector
10	PB2050182	Hybrid male coupler + Axensor sensor
11	PB2050368	Axensor cell type 1
12	PB2050369	Axensor cell type 2
13	PB2050162*	Hybrid male coupler
14	PB2050396	Holding sheet AT20-80
15	PB2050397	AT20-80 base
16	PB2050352	CPR handle
17	PB2050093	Built-in buckle 38 mm
18	PB2050333	Axensor box support
19	VHCIC/AXT80/HAUT	CIC top cover

*the use of these references requires the AirCare training



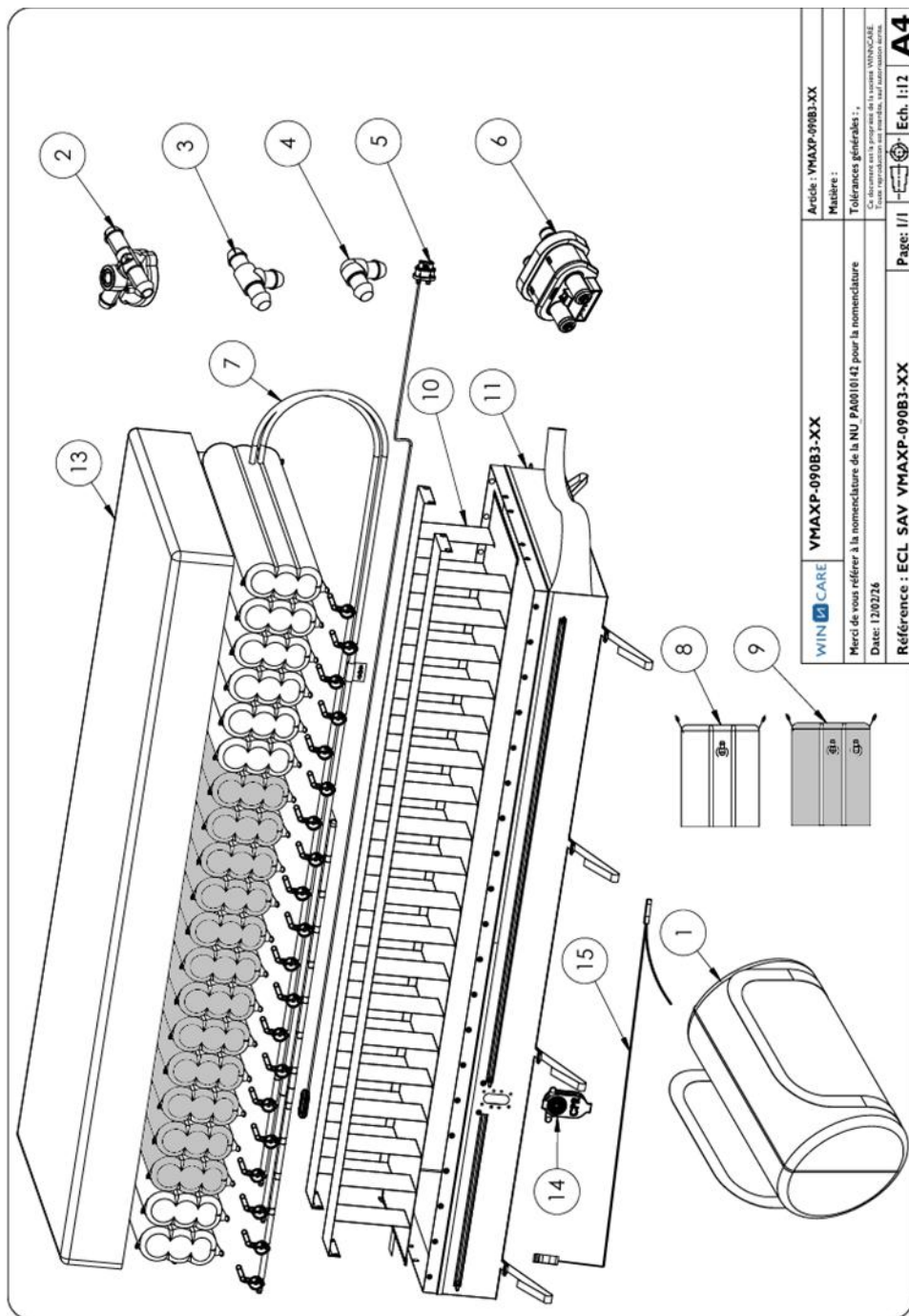
Article : VMAXP-090A3-XX	WINCARE	VMAXP-090A3-XX
Matière :		
Tolérances générales :		
Ce document est le propriété de la société WINNCARE. Toute réimpression est interdite, sauf autorisation écrite.		
Date: 13/03/26	Page: 1/1	Ech: 1:12
Référence : ECL_SAV_VMAXP-090A3-XX		A4

List of references: VMAXP-090A3-XX

Rep.	References	Designation
1	PB2050683	Transport Bag AXTAIR 90 compact
2	PB2050531	Heel discharge valve
3	PB2050634	T connector
4	PB2050535	L connector
5	PB2050182*	Hybrid male coupler + Axensor sensor
6	PB2050162*	Hybrid male coupler
7	PB2040069	Grey pipe
8	PB2050654	PU Cell AXENSOR TYPE 1 - L87
9	PB2050655	PU Cell AXENSOR TYPE 2 - L87
10	PB2050670	holding sheet AXENSOR
11	PB2050666	BOX STD AXENSORL 90
12	PB2050671	BOX STD AXENSORL 90 + holding sheet
13	THCICAXT90XLH	Top cover Axtair 90 CIC RABA XL
14	PB2050684	CPR AXENSOR AT20
15	VAXT/SANG	ROLLING STRAP

*the use of these references requires the AirCare training

AXTAIR AXENSOR® AT20 PRO MATTRESS – REF. VMAXP-090B3-XX

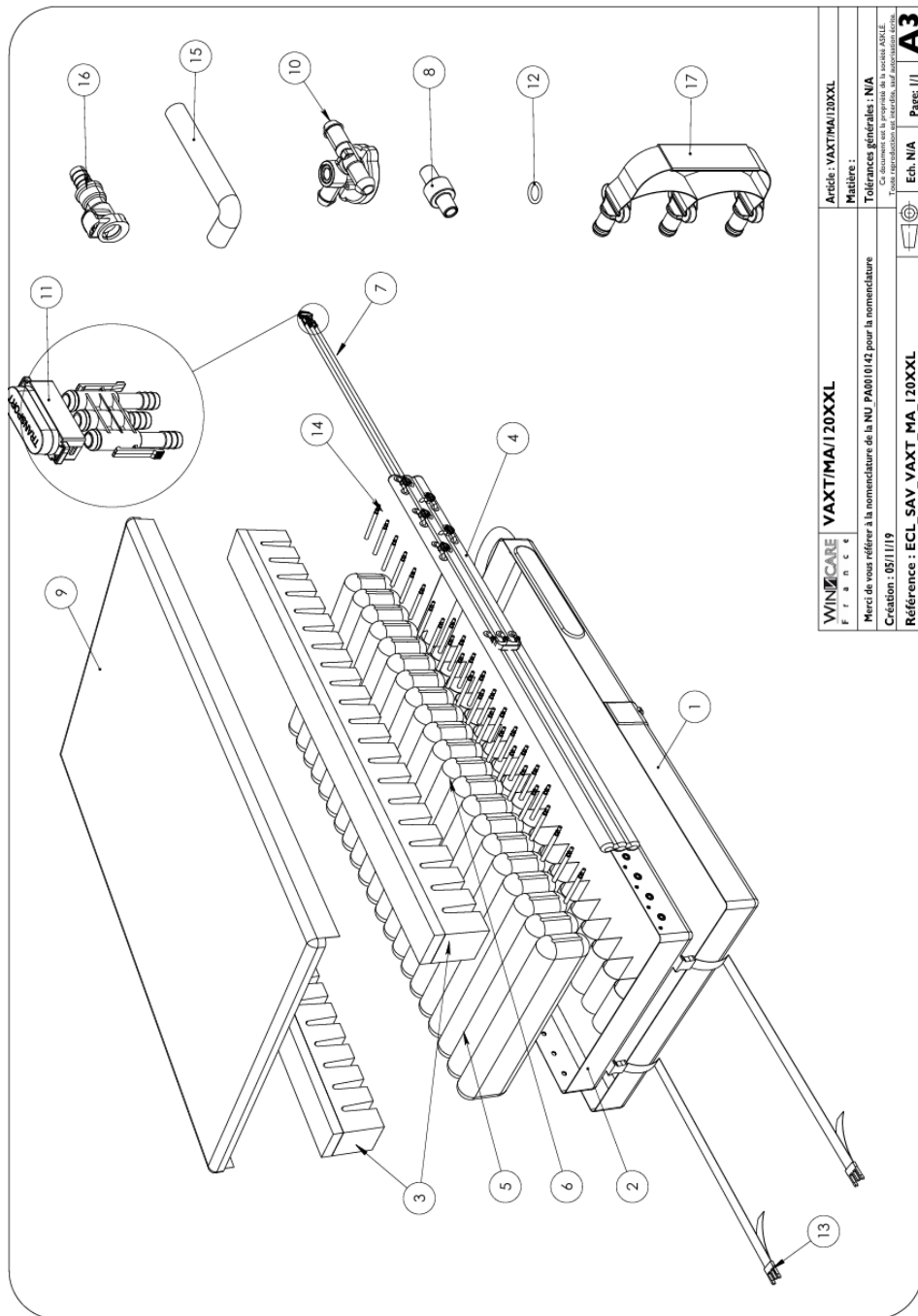


WIN CARE	VMAXP-090B3-XX	Article : VMAXP-090B3-XX
Merci de vous référer à la nomenclature de la NU PA0010142 pour la nomenclature		Matière :
Date: 120226		Tolérances générales : *
Référence : ECL_SAV_VMAXP-090B3-XX		Cailloux avec le programme de la notice WINNCARE
		Dimensions : 140x200x20
		Page: 1/1
		Ech. 1:12
		A4

Rep.	References	Designation
1	PB2050683	Transport Bag AXTAIR 90 compact
2	PB2050531	Heel discharge valve
3	PB2050634	T connector
4	PB2050535	L connector
5	PB2050182*	Hybrid male coupler + Axensor sensor
6	PB2050162*	Hybrid male coupler
7	PB2040069	Grey pipe
8	PB2050654	PU Cell AXENSOR TYPE 1 - L87
9	PB2050655	PU Cell AXENSOR TYPE 2 - L87
10	PB2050670	holding sheet AXENSOR
11	PB2050667	BOX PRO AXENSORL 90
12	PB2050669	BOX PRO AXENSORL 90 + holding sheet
13	THCICAXT90XLH	Top cover Axtair 90 CIC RABA XL
14	PB2050684	CPR AXENSOR AT20
15	VAXT/SANG	ROLLING STRAP

* L'utilisation de ces références nécessite le suivi de la formation AirCare.

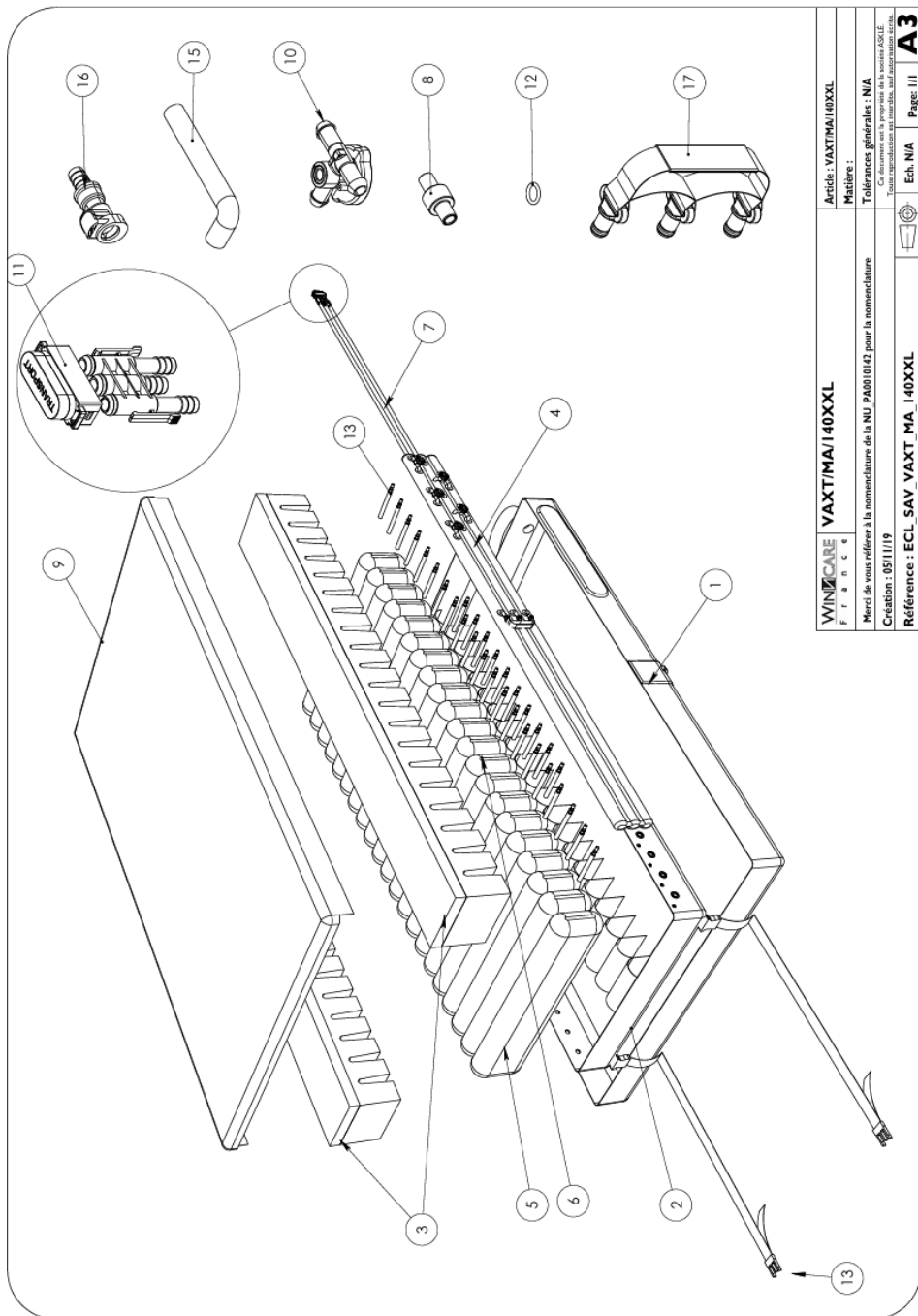
AXTAIR XXL MATTRESS – REF. VAXT/MA/120XXL OR VMXXL-120A2-XX



WINNCARE F r a n c e	VAXT/MA/120XXL	Article : VAXT/MA/120XXL
Merci de vous référer à la nomenclature de la NU PA0010142 pour la nomenclature		Matière :
Création : 05/11/19		Tolérances générales : N/A
Référence : ECL_SAV_VAXT_MA_120XXL		Tous les matériaux sont standard, sauf indication contraire.
		Ech. N/A Page: 1/1

Rep.	Références	Désignation
1	PB2050360	XXL120 base cover
2	PB2050361	inside cover XXL
3	PA9030085	Foam Stabilizing Edge 120 XXL
4	PB2050418	Pneumatic harness
5	Selon numéro de serie**	Axensor cell type 1
6	Selon numéro de serie**	Axensor cell type 2
7	PB2040069	Grey pipe
8	PB2050285	Non-return valve + silencer
9	VHPH/AXT120-H	Top cover Axtair 120 PUHD
10	PB2050531	Heel discharge valve
11	PB2050213	Complete male pneumatic connector
12	PB0050026	O-ring for male connector
13	PB2050093	Built-in buckle 38 mm
14	PB2050386	Extension XXL 120 tube-connector
15	PB2050330	Elbow pipe
16	PB2050084	Auto Female Connector.
17	PB2050352	CPR handle kit

** Please contact our service department with your mattress serial number



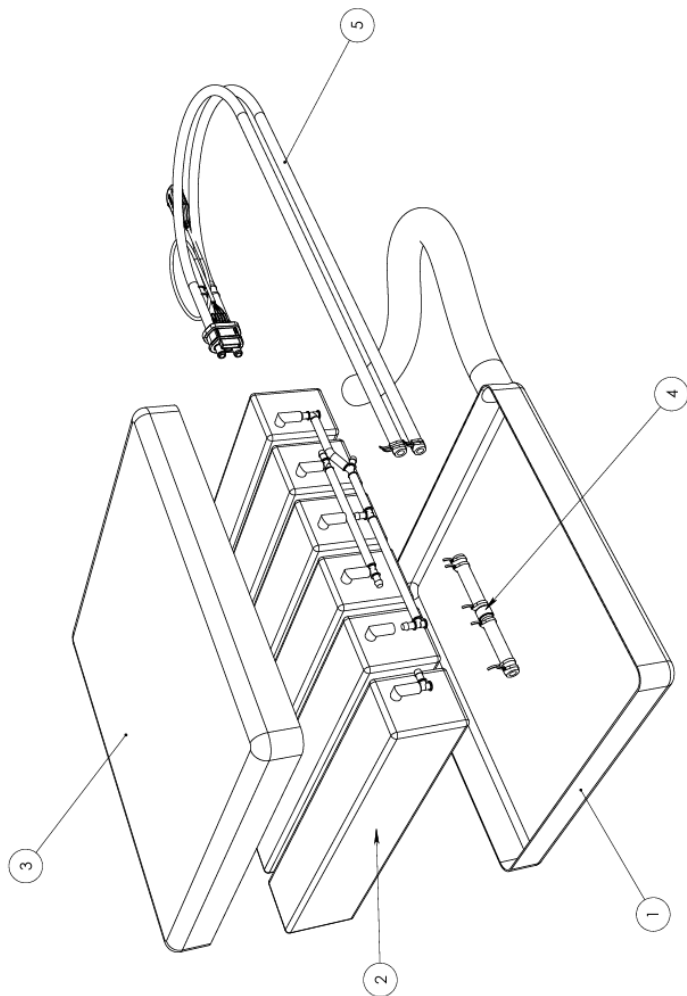
WINNCARE F r a n c e	VAXT/MA/140XXL	Article : VAXT/MA/140XXL
Merci de vous référer à la nomenclature de la NO PA0010142 pour la nomenclature		Matière :
Création : 05/11/19		Tolérances générales : N/A
Référence : ECL_SAV_VAXT_MA_140XXL		Tous droits réservés © 2019 WINNCARE SAS Tous renseignements sur nos produits, nos prestations et nos services.
	Ech. N/A	Page: 1/1

A3

List of references: VAXT/MA/140XXL

Rep.	Références	Désignation
1	PB2050365	XXL140 base cover
2	PB2050361	inside cover XXL
3	PA9030086	Foam Stabilizing Edge 140 XXL
4	PB2050418	Pneumatic harness
5	Selon numéro de serie**	Axensor cell type 1
6	Selon numéro de serie**	Axensor cell type 2
7	PB2040069	Grey pipe
8	PB2050285	Non-return valve + silencer
9	VHPH/AXT140-H	Top cover Axtair 120 PUHD
10	PB2050531	Heel discharge valve
11	PB2050213	Complete male pneumatic connector
12	PB0050026	O-ring for male connector
13	PB2050093	Built-in buckle 38 mm
14	PB2050387	Extension XXL 140 tube-connector
15	PB2050330	Elbow pipe
16	PB2050084	Auto Female Connector.
17	PB2050352	CPR handle kit

** Please contact our service department with your mattress serial number



WINNCARE F r a n c e	VAXT6/CO/AUTO	Article : VAXT6/CO/AUTO
AXTAIR APC CUSHION		Matériau : N/A
		Tolérances générales : N/A
		Tous les composants sont fournis, sauf indication contraire.
Référence : ECL_SAV_VAXT6_CO_AUTO		Ech. N/A
		Page : 1/1



List of references: VAXT6/CO/AUTO or VMAXP-APCH3-XX

Rep.	Reference	Designation
1	PB2050228	Dynamic Cushion base
2	PB2050223	Pneumatic set cushion
3	VHCIC/CO/HAUT	CIC Cushion Top Cover
4	PB2050229	Kit Network with valve
5	PB2050231	Tube 8.3x14.3 L1200



WINNCARE France
4, Le Pas du Château
85670 SAINT-PAUL-MONT-PENIT
FRANCE



Manufacturing site
WINNCARE France
200 Rue Charles Tellier
30000 NIMES
FRANCE



Tél. : +33 (0)4.66.02.15.15
Fax. : +33 (0)4.66.02.15.00
Email: contact@winnicare.fr
www.winnicare.com

Automorpho® Plus



Indicación terapéutica

Prevención y tratamiento de lesiones por presión (LPP) Estadio 1 al 4. Indicado para pacientes que permanecen más de 15 horas en la cama

Asistencia en el tratamiento de úlceras por presión **en estadio de 1 a 4**, combinada con un flujo localizado o sistema de posicionamiento.



Fabricado en la UE

i **DISPONIBLE EN 3 ANCHURAS DIFERENTES:** 90, 100 y 120 cm



Puntuación de la escala BRADEN



EL PRODUCTO +

- **Eficacia demostrada:** indicada para la prevención y tratamiento de úlceras por presión (Estadios 1 a 4)
- **Fácil de usar:** para profesionales sanitarios con cálculo automático y continuo de la presión de inflado según la morfología del paciente
- **Fiabilidad y reducción de costes: producto ecológico, fabricado en Francia,** con posibilidad de mantenimiento autónomo mediante el software "AIRCARE"
- **Prevención y tratamiento de LPP (Lesiones por presión) - Estadio 1 al 4**

Funda	Ancho de	Caja individual
	90 cm	VAXT4/AUTO-P
	100 cm	VAXT4/AUTO100-P
	120 cm	VAXT4/AUTO120-P
	90 cm	VAXT4/CIC-P
	100 cm	VAXT4/CIC100-P
	120 cm	VAXT4/CIC120-P

Posibilidad de embalaje múltiple en caja de 6 unidades

Características principales

- Sistema patentado para el cálculo automático y continuo de la presión de inflado según la morfología del paciente.
- Descarga integrada en la zona del talón
- Ajuste de comodidad independientemente del modo utilizado y de la posición del paciente en la cama
- Tamaño del colchón: 195 x 17 cm x [Ancho seleccionado]
- 3 anchos disponibles: 90, 100 y 120 cm
- Peso del colchón: ~ 10 kg (+ 2,7 kg de compresor)
- Código QR para acceso rápido y sencillo a la información del producto
- Viene en una bolsa de transporte, listo para usar
- Enfoque ecológico
- 2 fundas disponibles: PROMUST PU HD y PROMUST CIC
- Etiqueta de trazabilidad en la base del colchón
- Pasacables estándar integrado
- Dispositivos de compatibilidad y barrera RehaWash

Automorpho® Plus

La última generación de colchones hinchables totalmente automáticos

DESCARGA DE TALÓN

- Alivia la presión en la zona del talón descargando una o más celdas en la base del colchón
- Descarga fácil gracias a una válvula con rueda

FUNDA SERIGRAFIADA

- Bielástica e impermeable al líquido y permeable al vapor de agua, retardante de llama
- Solapa larga para mejorar la higiene
- Disponible en la versión de **PU PROMUST HD y CIC**

CELDA

18 celdas de poliuretano. Montaje de celdas en módulos extraíbles: facilita la limpieza y desinfección del colchón.

- Calidad
- Solidez
- Silencio

PASACABLES INTEGRADO

Para mayor seguridad durante la movilización sobre el colchón

CONECTORES DE COLCHÓN VÁLVULA COMPRESORA / RCP (Reanimación cardiopulmonar)

- Apertura y cierre rápidos y sencillos
- Desinfla el colchón en menos de 15 segundos en caso de emergencia

CARCASA INDEPENDIENTE CON SOPORTE DE ESPUMA

Ayuda a garantizar la seguridad del paciente en caso de eventos adversos

- Capa de espuma con una altura de 5 cm

BASE ANTIDESLIZANTE

Ayuda a evitar el uso de sistemas de sujeción que pueden dañar las camas.



COMPRESOR

- Sistema patentado para el cálculo automático y continuo de la presión de inflado según la morfología del paciente.
- 3 modos de funcionamiento: dinámico, estático, de baja presión, cuidado
- Gestión de la posición sentada
- Ajuste del confort independientemente del modo utilizado o de la posición del paciente
- Alarmas visuales y auditivas
- Código QR "¡SCAN ME!" para un acceso rápido y sencillo a la información del producto
- Instrucciones de funcionamiento simplificadas en el lateral del compresor
- Gestión del mantenimiento con el programa AIRCARE



Dinámica



Estática
Modo de baja presión



Cuidado

Características técnicas

- Dimensiones:** 22 x 25 x 11,5 cm
- Modo dinámico (alternado):** 1 celda de 2
- Duración completa del ciclo:** 9 a 15 minutos
- Patente:** Sistema de cálculo automático patentado
- Ajuste:** comodidad personalizada
- Caudal:** > 7 l/min
- Clase de protección:** IP42
- Fuente de alimentación:** 220-240 V~ 50 Hz
- Clase II tipo BF**
- Consumo medio:** 5 Wh
- Cumplimiento eléctrico y electromagnético:** normas IEC 60601-1; IEC 60601-1-2

Fotos no contractuales